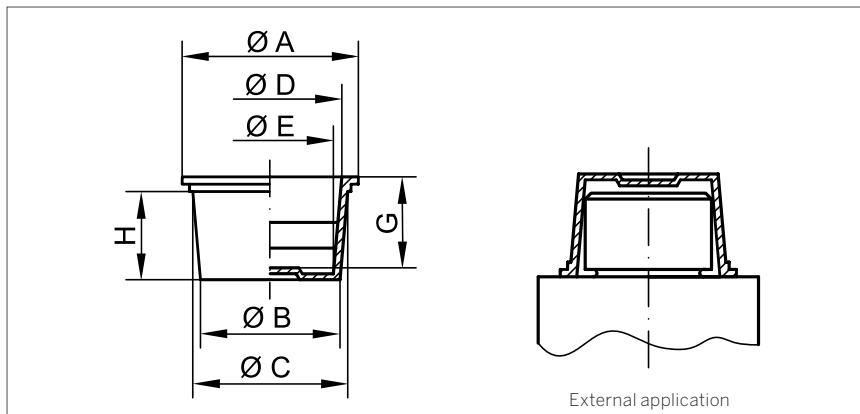


# Universal Protection GPN 610



Dimensions				External application			Order no.
A	B	C	H	D	E	G	
10.0	4.4	6.2	10.0	4.6	2.8	10.8	610 U 1
11.0	6.0	7.8	10.0	6.2	4.4	10.8	610 U 2
13.0	7.6	9.4	10.0	7.8	6.0	10.0	610 U 3
14.0	8.4	10.2	10.0	8.6	6.8	10.0	610 U 4
14.0	9.2	11.0	10.0	9.3	7.5	10.0	610 U 5
15.0	9.9	11.7	10.0	10.1	8.3	10.0	610 U 6
16.0	10.6	12.4	10.0	10.8	9.0	10.0	610 U 7
17.0	11.3	13.1	10.0	11.2	9.5	10.0	610 U 8
18.0	12.0	14.1	12.0	12.5	10.4	12.0	610 U 9
18.0	12.5	14.6	12.0	13.3	11.2	12.0	610 U 10
19.0	13.5	15.6	12.0	14.0	11.9	12.0	610 U 11
19.0	14.0	16.1	12.0	14.5	12.4	12.0	610 U 12
21.0	15.0	17.0	13.0	15.5	13.2	13.0	610 U 13
22.0	16.3	18.6	13.0	17.0	14.7	13.0	610 U 14
22.0	17.3	19.4	13.0	17.6	15.5	13.0	610 U 15
24.0	17.5	20.1	15.0	18.5	15.9	15.0	610 U 16
25.0	18.4	21.0	15.0	19.4	16.8	15.0	610 U 17
25.0	19.0	21.6	15.0	20.0	17.4	15.0	610 U 18
27.0	20.4	23.2	16.0	21.6	18.8	16.0	610 U 19
28.0	20.7	23.5	16.0	21.9	19.1	16.0	610 U 20
29.0	22.0	24.8	16.0	23.0	20.4	16.0	610 U 21
30.0	23.2	26.3	18.0	24.4	21.2	18.0	610 U 22
32.0	24.5	27.8	19.0	26.2	22.9	19.0	610 U 23
33.0	25.5	29.2	19.0	27.7	23.7	19.0	610 U 24
33.0	26.4	30.4	19.0	28.9	24.9	19.0	610 U 241
35.0	27.8	31.1	19.0	29.5	26.2	19.0	610 U 25
37.0	29.8	32.6	16.0	31.1	28.3	16.0	610 U 26
38.0	31.4	35.1	21.0	33.4	29.7	21.0	610 U 27
41.0	33.3	37.1	22.0	35.5	31.7	22.0	610 U 28
45.0	36.7	40.5	22.0	39.0	35.2	22.0	610 U 29
45.0	38.4	40.7	13.0	39.2	36.9	13.0	610 U 291
48.0	38.2	43.0	23.0	41.4	36.6	23.0	610 U 30
48.0	39.6	42.9	19.0	41.3	38.0	19.0	610 U 31
49.0	41.4	44.7	19.0	43.0	39.7	19.0	610 U 32
51.0	44.4	47.7	19.0	46.1	42.8	19.0	610 U 33
54.0	45.2	49.6	25.0	48.0	43.6	25.0	610 U 34
55.0	46.6	51.0	25.0	48.7	45.2	25.0	610 U 35
62.0	52.5	56.9	25.0	55.2	50.8	25.0	610 U 36
65.0	54.0	59.3	25.0	57.8	52.5	25.0	610 U 37
65.0	54.2	58.6	25.0	57.0	52.6	25.0	610 U 38
67.0	58.4	62.8	25.0	61.1	56.7	25.0	610 U 39
71.0	60.7	67.1	29.0	64.3	57.5	28.5	610 U 40
75.0	67.1	70.4	19.0	68.7	65.4	19.0	610 U 41
83.0	72.4	75.7	19.0	74.1	70.8	19.0	610 U 42
92.0	84.5	87.8	19.0	85.7	82.4	19.0	610 U 43

Size in mm

► Application guide data for exterior use, see page 26

Color and material alternatives, additional sizes, bespoke designs and technical cleanliness on request. For more information about materials, colors, drawings and application of our items, please see page 114/115.

### Your KAPSTO® quality benefits:



**Multifunctional:** Can be used universally as plug or cap. The tapered design is ideal for accommodating tolerances.



**Technical cleanliness:** Production in accordance with VDA Band 19 and ISO 16232 in our specially equipped cleanroom on request. For more information, please see page 116/117.



**Additional information:** To close off bore holes and internal threads, or to protect studs and external threads.

**Material:** PE-LD  
**Color:** Yellow

# Universal Protection

## GPN 610



**Additional information:** This application table is a guide only. We will be happy to send you free samples for testing. For apertures and bore holes without thread, please use dimensions D and E.

### Application guide data for exterior use

Standard thread	Metric threads					Pipe thread	Order no.
	Fine thread						
M 4	M 4 x 0.5						610 U 1
M 5	M 5 x 0.5						610 U 2
M 7							610 U 3
M 8	M 7.5 x 1	M 8 x 1				1/16	610 U 4
	M 8.5 x 1						610 U 5
M 9	M 9 x 1	M 9.5 x 1					610 U 6
M 10	M 10 x 1					1/8	610 U 7
	M 10.5 x 1						610 U 8
M 12	M 12 x 1	M 12 x 1.5					610 U 9
	M 12.5 x 1						610 U 10
	M 13 x 1	M 13 x 1.5				1/4	610 U 11
	M 13.5 x 1						610 U 12
M 14	M 14 x 1	M 14.5 x 1	M 14 x 1.5				610 U 13
M 16	M 16 x 1	M 16 x 1.5					610 U 14
						3/8	610 U 15
	M 17 x 1	M 17 x 1.5	M 17 x 2				610 U 16
M 18	M 18 x 1	M 18 x 1.5	M 18 x 2				610 U 17
	M 19 x 1	M 19 x 1.5	M 19 x 2				610 U 18
M 20	M 20 x 1	M 20 x 1.5	M 20 x 2				610 U 19
	M 21 x 1	M 21 x 1.5	M 21 x 2			1/2	610 U 20
M 22	M 22 x 1	M 22 x 1.5	M 22 x 2				610 U 21
	M 23 x 1	M 23 x 1.5	M 23 x 2			5/8	610 U 22
	M 25 x 1	M 25 x 1.5	M 25 x 2				610 U 23
	M 26 x 1	M 26 x 1.5	M 26 x 2			3/4	610 U 24
M 27	M 27 x 1	M 27 x 1.5	M 27 x 2				610 U 241
	M 28 x 1	M 28 x 1.5	M 28 x 2	M 28 x 3			610 U 25
M 30	M 30 x 1	M 30 x 1.5	M 30 x 2	M 30 x 3		7/8	610 U 26
	M 32 x 1	M 32 x 1.5	M 32 x 2	M 32 x 3			610 U 27
	M 34 x 1	M 34 x 1.5	M 34 x 2	M 34 x 3		1	610 U 28
	M 37 x 1	M 37 x 1.5	M 37 x 2			1 1/8	610 U 29
	M 38 x 1	M 38 x 1.5	M 38 x 2	M 38 x 3			610 U 291
M 39	M 39 x 1	M 39 x 1.5	M 39 x 2	M 39 x 3			610 U 30
	M 40 x 1	M 40 x 1.5	M 40 x 2	M 40 x 3	M 40 x 4		610 U 31
M 42	M 42 x 1	M 42 x 1.5	M 42 x 2	M 42 x 3	M 42 x 4	1 1/4	610 U 32
M 45	M 45 x 1	M 45 x 1.5	M 45 x 2	M 45 x 3	M 45 x 4	1 3/8	610 U 33
						1 1/2	610 U 35
M 52	M 52 x 1	M 52 x 1.5	M 52 x 2	M 52 x 3	M 52 x 4	1 3/4	610 U 36
	M 55 x 1	M 55 x 1.5	M 55 x 2	M 55 x 3	M 55 x 4		610 U 37
	M 55 x 1	M 55 x 1.5	M 55 x 2	M 55 x 3	M 55 x 4		610 U 38
	M 60 x 1	M 60 x 1.5	M 60 x 2	M 60 x 3	M 60 x 4	2	610 U 39
M 62	M 62 x 1	M 62 x 1.5	M 62 x 2	M 62 x 3	M 62 x 4		610 U 40
	M 72 x 1	M 72 x 1.5	M 72 x 2	M 72 x 3	M 72 x 4		610 U 42

Size in mm

◀ Dimensions on page 25

Color and material alternatives, additional sizes, bespoke designs and technical cleanliness on request. For more information about materials, colors, drawings and application of our items, please see page 114/115.

>> You also might be interested in the following products: GPN 600, GPN 615, GPN 620



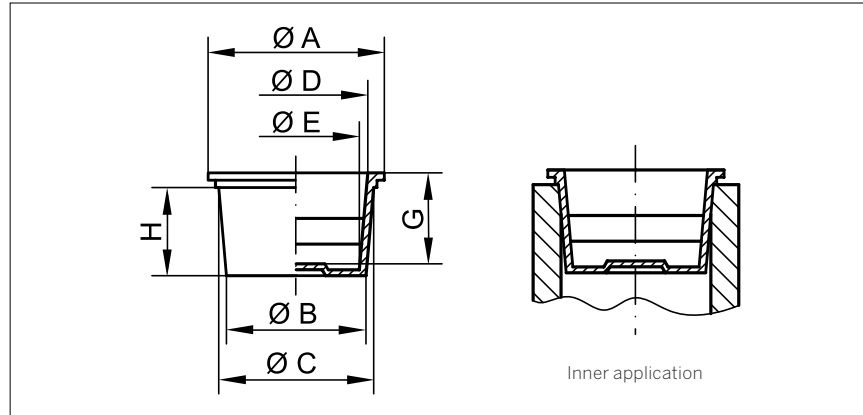
**PÖPPELMANN**

We will be happy to advise you: +1 828-466-9519

**KAPSTO®**

# Universal Protection

## GPN 610



### Your KAPSTO® quality benefits:



**Multifunctional:** Can be used universally as plug or cap. The tapered design is ideal for accommodating tolerances.



**Technical cleanliness:** Production in accordance with VDA Band 19 and ISO 16232 in our specially equipped cleanroom on request. For more information, please see page 116/117.



**Additional information:** To close off bore holes and internal threads, or to protect studs and external threads.

Dimensions							
A	Inner application			D	E	G	Order no.
	B	C	H				
10.0	4.4	6.2	10.0	4.6	2.8	10.8	610 U 1
11.0	6.0	7.8	10.0	6.2	4.4	10.8	610 U 2
13.0	7.6	9.4	10.0	7.8	6.0	10.0	610 U 3
14.0	8.4	10.2	10.0	8.6	6.8	10.0	610 U 4
14.0	9.2	11.0	10.0	9.3	7.5	10.0	610 U 5
15.0	9.9	11.7	10.0	10.1	8.3	10.0	610 U 6
16.0	10.6	12.4	10.0	10.8	9.0	10.0	610 U 7
17.0	11.3	13.1	10.0	11.2	9.5	10.0	610 U 8
18.0	12.0	14.1	12.0	12.5	10.4	12.0	610 U 9
18.0	12.5	14.6	12.0	13.3	11.2	12.0	610 U 10
19.0	13.5	15.6	12.0	14.0	11.9	12.0	610 U 11
19.0	14.0	16.1	12.0	14.5	12.4	12.0	610 U 12
21.0	15.0	17.0	13.0	15.5	13.2	13.0	610 U 13
22.0	16.3	18.6	13.0	17.0	14.7	13.0	610 U 14
22.0	17.3	19.4	13.0	17.6	15.5	13.0	610 U 15
24.0	17.5	20.1	15.0	18.5	15.9	15.0	610 U 16
25.0	18.4	21.0	15.0	19.4	16.8	15.0	610 U 17
25.0	19.0	21.6	15.0	20.0	17.4	15.0	610 U 18
27.0	20.4	23.2	16.0	21.6	18.8	16.0	610 U 19
28.0	20.7	23.5	16.0	21.9	19.1	16.0	610 U 20
29.0	22.0	24.8	16.0	23.0	20.4	16.0	610 U 21
30.0	23.2	26.3	18.0	24.4	21.2	18.0	610 U 22
32.0	24.5	27.8	19.0	26.2	22.9	19.0	610 U 23
33.0	25.5	29.2	19.0	27.7	23.7	19.0	610 U 24
33.0	26.4	30.4	19.0	28.9	24.9	19.0	610 U 241
35.0	27.8	31.1	19.0	29.5	26.2	19.0	610 U 25
37.0	29.8	32.6	16.0	31.1	28.3	16.0	610 U 26
38.0	31.4	35.1	21.0	33.4	29.7	21.0	610 U 27
41.0	33.3	37.1	22.0	35.5	31.7	22.0	610 U 28
45.0	36.7	40.5	22.0	39.0	35.2	22.0	610 U 29
45.0	38.4	40.7	13.0	39.2	36.9	13.0	610 U 291
48.0	38.2	43.0	23.0	41.4	36.6	23.0	610 U 30
48.0	39.6	42.9	19.0	41.3	38.0	19.0	610 U 31
49.0	41.4	44.7	19.0	43.0	39.7	19.0	610 U 32
51.0	44.4	47.7	19.0	46.1	42.8	19.0	610 U 33
54.0	45.2	49.6	25.0	48.0	43.6	25.0	610 U 34
55.0	46.6	51.0	25.0	48.7	45.2	25.0	610 U 35
62.0	52.5	56.9	25.0	55.2	50.8	25.0	610 U 36
65.0	54.0	59.3	25.0	57.8	52.5	25.0	610 U 37
65.0	54.2	58.6	25.0	57.0	52.6	25.0	610 U 38
67.0	58.4	62.8	25.0	61.1	56.7	25.0	610 U 39
71.0	60.7	67.1	29.0	64.3	57.5	28.5	610 U 40
75.0	67.1	70.4	19.0	68.7	65.4	19.0	610 U 41
83.0	72.4	75.7	19.0	74.1	70.8	19.0	610 U 42
92.0	84.5	87.8	19.0	85.7	82.4	19.0	610 U 43

Size in mm

► Application Guide Data for Internal Use, see page 75

Color and material alternatives, additional sizes, bespoke designs and technical cleanliness on request. For more information about materials, colors, drawings and application of our items, please see page 114/115.



**PÖPPELMANN**

We will be happy to advise you: +1 828-466-9519

**KAPSTO®**

# Universal Protection

## GPN 610

### Application Guide Data for Internal Use

Standard thread	Metric threads			Pipe thread	Order no.	
	Fine thread					
M 6	M 6 x 0.5	M 6 x 0.75			610 U 1	
M 8	M 8 x 1				610 U 2	
M 10	M 9.5 x 1	M 10 x 1.25		1/8	610 U 3	
M 11	M 10.5 x 1				610 U 4	
M 12	M 11 x 1	M 12 x 1.5			610 U 5	
	M 12 x 1	M 12 x 1.25			610 U 6	
M 14	M 12.5 x 1			1/4	610 U 7	
	M 13.5 x 1	M 14 x 1.5			610 U 8	
	M 14 x 1	M 15 x 1.5			610 U 9	
M 16	M 14.5 x 1	M 15 x 1			610 U 10	
	M 16 x 1	M 16 x 1.5	M 17 x 2		610 U 11	
M 18		M 17 x 1.5		3/8	610 U 12	
	M 17 x 1	M 18 x 1.5			610 U 13	
M 20		M 19 x 1.5	M 20 x 2		610 U 14	
		M 20 x 1.5		1/2	610 U 15	
M 22	M 20 x 1		M 21 x 2	1/2	610 U 16	
	M 21 x 1		M 22 x 2		610 U 17	
M 24		M 22 x 1.5		5/8	610 U 18	
	M 23 x 1		M 24 x 2		610 U 19	
		M 24 x 1.5			610 U 20	
M 27		M 25 x 1.5	M 26 x 2		610 U 21	
	M 26 x 1		M 27 x 2	M 28 x 3	3/4	610 U 22
M 30	M 27 x 1	M 28 x 1.5			610 U 23	
	M 29 x 1	M 29 x 1.5	M 30 x 2		7/8	610 U 24
M 33	M 30 x 1	M 30 x 1.5		M 32 x 3		610 U 241
M 33	M 31 x 1	M 31 x 1.5	M 32 x 2		1	610 U 25
M 36	M 32 x 1	M 33 x 1.5				610 U 26
	M 34 x 1	M 35 x 1.5	M 36 x 2			610 U 27
M 39	M 36 x 1	M 37 x 1.5		M 39 x 3	1 1/8	610 U 28
	M 40 x 1	M 40 x 1.5		M 42 x 3	1 1/4	610 U 29
			M 42 x 2			610 U 291
M 45	M 42 x 1	M 42 x 1.5		M 45 x 4		610 U 30
	M 42 x 1			M 45 x 3	1 3/8	610 U 31
	M 44 x 1	M 45 x 1.5		M 48 x 4		610 U 32
M 52		M 48 x 1.5	M 48 x 2	M 50 x 3		610 U 33
		M 50 x 1.5	M 50 x 2	M 52 x 4		610 U 34
M 56	M 50 x 1	M 50 x 1.5		M 52 x 3		610 U 35
M 60	M 56 x 1	M 56 x 1.5		M 58 x 3		610 U 36
M 64	M 58 x 1	M 58 x 1.5		M 60 x 3	2	610 U 37
M 64	M 58 x 1	M 58 x 1.5		M 60 x 3	2	610 U 38
M 68	M 62 x 1	M 62 x 1.5		M 64 x 3		610 U 39
	M 65 x 1	M 65 x 1.5		M 68 x 4		610 U 40
	M 70 x 1	M 70 x 1.5		M 72 x 3		610 U 41
	M 75 x 1	M 76 x 1.5				610 U 42
				M 90 x 3		610 U 43

◀ Dimensions on page 74

>> You also might be interested in the following products: GPN 600, GPN 615, GPN 620



#### Additional information:

This application table is a guide only. We will be happy to send you free samples for testing. For apertures and bore holes without threads, please use dimensions B and C. Color and material alternatives, additional sizes, bespoke designs and technical cleanliness on request. For more information about materials, colors, drawings and application of our items, please see page 114/115.

