

SCREW PLUGS

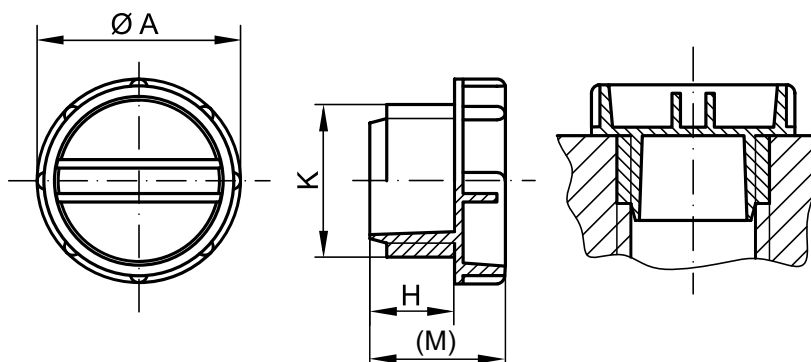
GPN 700

with metric threads

Free test samples:

+49 4442 982-9100

poeppele.com/en/gpn700



Standard colour: Yellow

Material: PE-HD



Better.

Suitable for a wide range of metric and imperial internal threads, as well as pipe threads in accordance with DIN EN ISO 228-1. Easy-to-grip head for manual assembly. The small to medium sizes feature a slot so that screwdrivers can be used for installation.

Suitable for external

Dimensions

item	Thread K	Dimensions			Order no.
		A	H	(M)	
GPN 700 M 6	M 6	12	7	12	700 0006 0000
GPN 700 M 6 × 0.75	M 6 × 0.75	12	7	12	700 6075 0000
GPN 700 M 8	M 8	12	7	12	700 0008 0000
GPN 700 M 10	M 10	14	9	14	700 0010 0000
GPN 700 M 12	M 12	16	9	14	700 0012 0000
GPN 700 M 14	M 14	19	9	14	700 0014 0000
GPN 700 M 16	M 16	21	10	16	700 0016 0000
GPN 700 M 18	M 18	24	10	16	700 0018 0000
GPN 700 M 20	M 20	26	12	18	700 0020 0000
GPN 700 M 22	M 22	28	12	18	700 0022 0000
GPN 700 M 24	M 24	31.5	10	18	700 0024 0000
GPN 700 M 30	M 30	35.4	17.7	26	700 0030 0000
GPN 700 M 36	M 36	43.6	18	28	700 0036 0000
GPN 700 M 42	M 42	51.7	17.7	27.8	700 0042 0000
GPN 700 M 8 × 1	M 8 × 1	12	7	12	700 0810 0000
GPN 700 M 10 × 1	M 10 × 1	14	9	14	700 1010 0000
GPN 700 M 12 × 1	M 12 × 1	16	9	14	700 1210 0000
GPN 700 M 14 × 1	M 14 × 1	19	9	14	700 1410 0000
GPN 700 M 18 × 1	M 18 × 1	24	10	16	700 1810 0000
GPN 700 M 12 × 1.5	M 12 × 1.5	16	9	14	700 1215 0000
GPN 700 M 14 × 1.5	M 14 × 1.5	19	9	14	700 1415 0000
GPN 700 M 16 × 1.5	M 16 × 1.5	21	10	16	700 1615 0000
GPN 700 M 18 × 1.5	M 18 × 1.5	24	10	16	700 1815 0000
GPN 700 M 20 × 1.5	M 20 × 1.5	26	12	18	700 2015 0000
GPN 700 M 22 × 1.5	M 22 × 1.5	28	12	18	700 2215 0000
GPN 700 M 24 × 1.5	M 24 × 1.5	31.5	10	18	700 2415 0000
GPN 700 M 26 × 1.5	M 26 × 1.5	31.5	12	20	700 2615 0000
GPN 700 M 30 × 1.5*	M 30 × 1.5	36	12	20	700 3015 0000
GPN 700 M 36 × 1.5*	M 36 × 1.5	44	13	23	700 3615 0000
GPN 700 M 42 × 1.5*	M 42 × 1.5	51	15	25	700 4215 0000
GPN 700 M 45 × 1.5*	M 45 × 1.5	55	15	25	700 4515 0000
GPN 700 M 52 × 1.5*	M 52 × 1.5	60	15	25	700 5215 0000
GPN 700 M 24 × 2	M 24 × 2	31.5	10	18	700 2420 0000
GPN 700 M 27 × 2*	M 27 × 2	32	12	20	700 2720 0000
GPN 700 M 30 × 2*	M 30 × 2	36	12	20	700 3020 0000
GPN 700 M 33 × 2*	M 33 × 2	39	13	23	700 3320 0000
GPN 700 M 36 × 2*	M 36 × 2	44	13	23	700 3620 0000
GPN 700 M 42 × 2*	M 42 × 2	52	15	25	700 4220 0000
GPN 700 M 45 × 2*	M 45 × 2	55	15	25	700 4520 0000
GPN 700 M 52 × 2*	M 52 × 2	60	15	25	700 5220 0000

Size in mm

» Continued on page 106

For information regarding materials, colours, drawings and the use of our items, please refer to pages 124/125.

*Head without slot.

You might also be interested in the following products: GPN 310, GPN 737

SCREW PLUGS

GPN 700

with imperial threads

Standard colour: Yellow

Material: PE-HD

Free test samples:

+49 4442 982-9100

poeppele.com/en/gpn700

poeppele.com/en/gpn703



« Continued from page 105

item	Suitable for external Thread K	Dimensions			Order no.
		A	H	(M)	
GPN 700 1/4 - 18 NPTF	1/4 - 18 NPTF	19	9	15	700 0591 0000
GPN 700 1/4 - 28 UNF*	1/4 - 28 UNF	12	7	12	700 7229 0000
GPN 700 3/8 - 24 UNF	3/8 - 24 UNF	14	9	14	700 3194 0000
GPN 700 7/16 - 20 UNF	7/16 - 20 UNF	16	9	14	700 0497 0000
GPN 700 1/2 - 20 UNF	1/2 - 20 UNF	16	9	14	700 3191 0000
GPN 700 9/16 - 18 UNF	9/16 - 18 UNF	19	9	14	700 0498 0000
GPN 700 5/8 - 18 UNF	5/8 - 18 UNF	21	10	16	700 5084 0000
GPN 700 3/4 - 16 UNF	3/4 - 16 UNF	26	12	18	700 3192 0000
GPN 700 7/8 - 14 UNF	7/8 - 14 UNF	28	12	18	700 0496 0000
GPN 700 1 - 14 UNS*	1 - 14 UNS	32	10	18	700 7233 0000
GPN 700 1 1/16 - 12 UN*	1 1/16 - 12 UN	32	12	20	700 3193 0000
GPN 700 1 5/16 - 12 UN*	1 5/16 - 12 UN	42	13	23	700 5951 0000
GPN 700 1 5/8 - 12 UN*	1 5/8 - 12 UN	52	15	25	700 7241 0000
GPN 700 1 7/8 - 12 UN*	1 7/8 - 12 UN	57	15	25	700 7245 0000

Size in mm

For information regarding materials, colours, drawings and the use of our items, please refer to pages 124/125.

*Head without slot.

GPN 700

with Pipe threads (DIN EN ISO 228-1)

Standard colour: Yellow

Material: PE-HD

item	Suitable for external Thread K	Dimensions			Order no.
		A	H	(M)	
GPN 700 G 1/8	G 1/8	14	9	14	700 0371 0000
GPN 700 G 1/4	G 1/4	19	9	14	700 0400 0000
GPN 700 G 3/8	G 3/8	21	10	16	700 0386 0000
GPN 700 G 1/2	G 1/2	26	12	18	700 0395 0000
GPN 700 G 5/8	G 5/8	28	12	18	700 0401 0000
GPN 700 G 3/4	G 3/4	31.5	12	20	700 3371 0000

Size in mm

For information regarding materials, colours, drawings and the use of our items, please refer to pages 124/125.

SCREW PLUGS

GPN 703

for metric threads, only 2 1/2 thread pitches

Standard colour: Yellow

Material: PE-LD



Saves time.

Screw stopper with only 2 1/2 threads for faster installation.

item	Suitable for external Thread K	Dimensions			Order no.
		A	H	(M)	
GPN 703 M 10 × 1	M 10 × 1	14.5	4	9	703 1010 0000
GPN 703 M 12 × 1.5	M 12 × 1.5	17.5	6	11	703 1215 0000
GPN 703 M 14 × 1.5	M 14 × 1.5	19	6	11	703 1415 0000
GPN 703 M 16 × 1.5	M 16 × 1.5	22.5	6.5	12.5	703 1615 0000
GPN 703 M 18 × 1.5	M 18 × 1.5	24	7	16	703 1815 0000
GPN 703 M 20 × 1.5	M 20 × 1.5	26	7	13	703 2015 0000
GPN 703 M 22 × 1.5	M 22 × 1.5	27.5	7	13	703 2215 0000
GPN 703 M 24 × 1.5	M 24 × 1.5	29.5	7	18	703 2415 0000
GPN 703 M 26 × 1.5	M 26 × 1.5	32	14.5	22.5	703 2615 0000
GPN 703 M 28 × 1.5	M 28 × 1.5	34	8	19	703 2815 0000

Size in mm

For information regarding materials, colours, drawings and the use of our items, please refer to pages 124/125.

You might also be interested in the following products: GPN 305, GPN 310, GPN 608, GPN 737