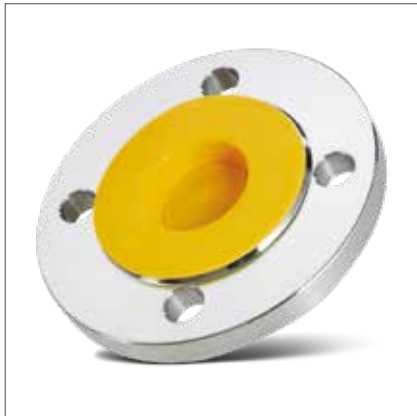
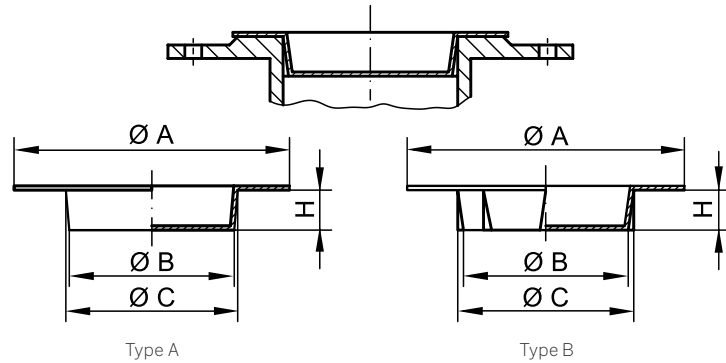


GPN 650 Type B

Free test samples:

+49 4442 982-9100

poepelmann.com/en/gpn650b



Type B (shaft with ribs)

item	Suitable for external		Dimensions				Order no.
	Nominal width		A	B	C	H	
GPN 650 / 10-R	10		40	7.5	10.5	10	651 0010 0000
GPN 650 / 15-R	15		45	12.5	15.8	10	651 0015 0000
GPN 650 / 20-R	20		59	16	22	15	651 0020 0000
GPN 650 / 25-R	25		68	21	26	15	651 0025 0000
GPN 650 / 32-R	32		78	28	33.5	15	651 0032 0000
GPN 650 / 40-R	40		88	36	41.5	15	651 0040 0000
GPN 650 / 50-R	50		102	46	51	15	651 0050 0000
GPN 650 / 65-R	65		122	60	66	20	651 0065 0000
GPN 650 / 80-R	80		138	74.5	81	20	651 0080 0000
GPN 650 / 100-R	100		162	93	102	20	651 0100 0000
GPN 650 / 125-R	125		205	118	127	20	651 0125 0000
GPN 650 / 150-R	150		245	140	152	20	651 0150 0000

Size in mm

For information regarding materials, colours, drawings and the use of our items, please refer to pages 124/125.

You might also be interested in the following products: GPN 655, GPN 670, GPN 680

Standard colour: Yellow

Material: PE-LD



Better fit.

Protection for flanges in accordance with DIN EN 1092-1 and DIN EN 28117.



More versatile.

Design B with additional clamping ribs for accommodating larger tolerances.



Better.

Closes the opening and protects the sealing face of the flange fitting.