

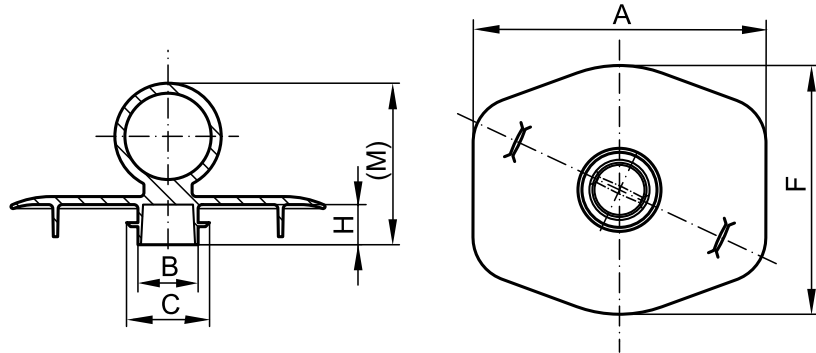
FLANGE COVERS

# GPN 640

Free test samples:

+49 4442 982-9100

poeppele.com/en/gpn640



Standard colour: Yellow

Material: PE-LD



**Better fit.**

Protection for SAE flanges.



**Saves time.**

With ring lug for easy handling.



**More versatile.**

Larger tolerances accommodated by ribs.



**Better.**

With clamping ribs and positioning bars for reliable fit.

item	Suitable for external	Dimensions						Order no.
	High pressure flange size	A	F	B	C	H	(M)	
GPN 640 HD 1/2	1/2	58	50	8.5	14.3	10	40.3	640 3586 0000
GPN 640 HD 3/4	3/4	73	62	15	20.7	10	40.3	640 3587 0000
GPN 640 HD 1	1	83	72	20	27	10	40.3	640 3178 0000
GPN 640 HD 1 1/4	1 1/4	98	81	26.5	33.5	10	40.3	640 3588 0000

Size in mm

For information regarding materials, colours, drawings and the use of our items, please refer to pages 124/125.

You might also be interested in the following product: [GPN 690](#)