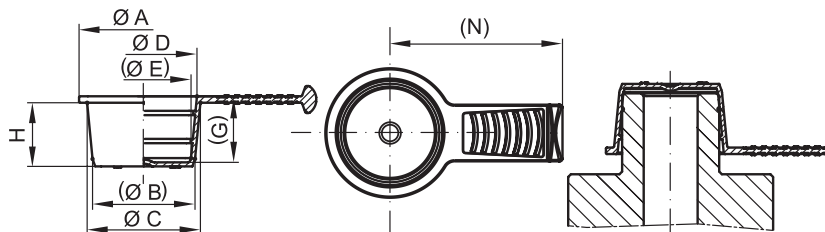


FLEXIBLE TAPERED CLOSURE WITH SIDE TAB

# GPN 609

**NEW**



External application



**Standard colour:** yellow

**Material:** TPE (plasticisers-free)



### Better temperature resistance.

Heat resistant to 150 °C. More details: page 125, "Physical properties".



### Saves time.

Very quick disassembly thanks to an innovative lateral removal tab – protected tab design.



### More versatile.

Can be used universally as plug or cap. The tapered design and the flexible material are ideal for accommodating tolerances.



### Better.

To close off bore holes and internal threads, or to protect studs and external threads.

External application

item	A	(B)	C	H	External application				Order no.
					D	(E)	(G)	(N)	
609 BL 90	11	7	9	8.8	7.8	5.5	9.3	17.5	609 0090 0000
609 BL 100	12	8	10	8.8	8.8	6.4	9.3	18	609 0100 0000
609 BL 110	13	9	11	8.8	9.8	7.4	9.3	18.5	609 0110 0000
609 BL 120	14	10	12	9.8	10.7	8.4	10.1	19	609 0120 0000
609 BL 130	15	11	13	9.8	11.8	9.4	10.3	19.5	609 0130 0000
609 BL 140	16	12	14	10.8	12.7	10.5	11.3	20	609 0140 0000
609 BL 150	18	13	15	10.8	13.7	11.3	11.3	24	609 0150 0000
609 BL 160	19	14.1	15.9	10.8	14.7	12.3	11.2	24.5	609 0160 0000
609 BL 170	19.9	14.9	16.8	10.8	15.7	13.4	11.2	25	609 0170 0000
609 BL 180	20.9	16.1	17.8	10.8	16.7	14.4	11.2	25.5	609 0180 0000
609 BL 190	21.9	17.2	18.9	10.8	17.7	15.4	11.2	26	609 0190 0000
609 BL 200	22.9	18.1	19.9	11.8	18.7	16.4	12.2	31.5	609 0200 0000
609 BL 210	23.8	19.2	20.7	11.8	19.7	17.4	12.2	32	609 0210 0000
609 BL 220	25	20.3	22.1	11.8	20.7	18.1	12.2	32.5	609 0220 0000
609 BL 230	26	21	23	11.8	21.7	19.4	12.3	33	609 0230 0000
609 BL 240	27	22	24	11.8	22.7	20.4	12.3	33.5	609 0240 0000
609 BL 250	27.9	23.3	24.7	11.8	23.7	21.4	12.2	34	609 0250 0000
609 BL 260	28.9	24.2	25.7	11.8	24.7	22.4	12.2	34.5	609 0260 0000
609 BL 270	29.9	25.2	26.8	12.8	25.7	23.4	13.2	35	609 0270 0000
609 BL 280	31.9	26.1	27.9	12.8	26.7	24.4	13.2	36	609 0280 0000
609 BL 290	33.8	27.2	28.8	12.8	27.7	25.4	13.2	37	609 0290 0000
609 BL 300	35	28.4	30	12.8	28.6	26.2	13	37.5	609 0300 0000
609 BL 330	41	32.1	33	6.5	31.7	30	7.7	40.5	609 0330 0000
609 BL 670	71.8	65.8	66.8	10.5	65.4	64.3	11	50.87	609 0670 0000

Size in mm

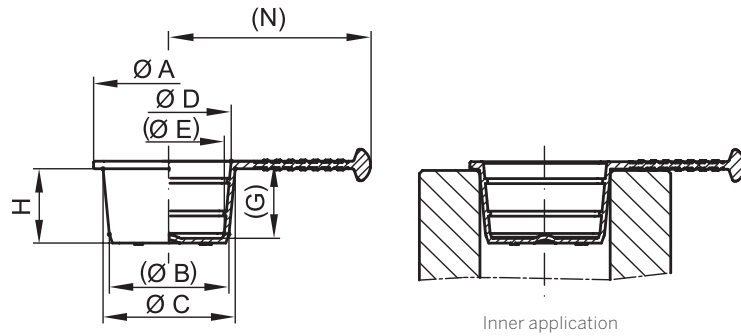
For information regarding materials, colours, drawings and the use of our items, please refer to pages 124/125.

You might also be interested in the following products: [GPN 308](#), [GPN 600](#), [GPN 608](#), [GPN 615](#)

FLEXIBLE TAPERED CLOSURE WITH SIDE TAB

# GPN 609

**NEW**



**Standard colour:** yellow  
**Material:** TPE (plasticisers-free)



### Better temperature resistance.

Heat resistant to 150 °C. More details: page 125, "Physical properties".



### Saves time.

Very quick disassembly thanks to an innovative lateral removal tab – protected tab design.



### More versatile.

Can be used universally as plug or cap. The tapered design and the flexible material are ideal for accommodating tolerances.



### Better.

To close off bore holes and internal threads, or to protect studs and external threads.

#### Inner application

item	A	(B)	C	H	D	(E)	(G)	(N)	Order no.
609 BL 90	11	7	9	8.8	7.8	5.5	9.3	17.5	609 0090 0000
609 BL 100	12	8	10	8.8	8.8	6.4	9.3	18	609 0100 0000
609 BL 110	13	9	11	8.8	9.8	7.4	9.3	18.5	609 0110 0000
609 BL 120	14	10	12	9.8	10.7	8.4	10.1	19	609 0120 0000
609 BL 130	15	11	13	9.8	11.8	9.4	10.3	19.5	609 0130 0000
609 BL 140	16	12	14	10.8	12.7	10.5	11.3	20	609 0140 0000
609 BL 150	18	13	15	10.8	13.7	11.3	11.3	24	609 0150 0000
609 BL 160	19	14.1	15.9	10.8	14.7	12.3	11.2	24.5	609 0160 0000
609 BL 170	19.9	14.9	16.8	10.8	15.7	13.4	11.2	25	609 0170 0000
609 BL 180	20.9	16.1	17.8	10.8	16.7	14.4	11.2	25.5	609 0180 0000
609 BL 190	21.9	17.2	18.9	10.8	17.7	15.4	11.2	26	609 0190 0000
609 BL 200	22.9	18.1	19.9	11.8	18.7	16.4	12.2	31.5	609 0200 0000
609 BL 210	23.8	19.2	20.7	11.8	19.7	17.4	12.2	32	609 0210 0000
609 BL 220	25	20.3	22.1	11.8	20.7	18.1	12.2	32.5	609 0220 0000
609 BL 230	26	21	23	11.8	21.7	19.4	12.3	33	609 0230 0000
609 BL 240	27	22	24	11.8	22.7	20.4	12.3	33.5	609 0240 0000
609 BL 250	27.9	23.3	24.7	11.8	23.7	21.4	12.2	34	609 0250 0000
609 BL 260	28.9	24.2	25.7	11.8	24.7	22.4	12.2	34.5	609 0260 0000
609 BL 270	29.9	25.2	26.8	12.8	25.7	23.4	13.2	35	609 0270 0000
609 BL 280	31.9	26.1	27.9	12.8	26.7	24.4	13.2	36	609 0280 0000
609 BL 290	33.8	27.2	28.8	12.8	27.7	25.4	13.2	37	609 0290 0000
609 BL 300	35	28.4	30	12.8	28.6	26.2	13	37.5	609 0300 0000
609 BL 330	41	32.1	33	6.5	31.7	30	7.7	40.5	609 0330 0000
609 BL 670	71.8	65.8	66.8	10.5	65.4	64.3	11	50.87	609 0670 0000

Size in mm

For information regarding materials, colours, drawings and the use of our items, please refer to pages 124/125.

**You might also be interested in the following products: GPN 308, GPN 600, GPN 608, GPN 615**