

GRIP PLUGS

GPN 330 PCR-PE, blue

NEW

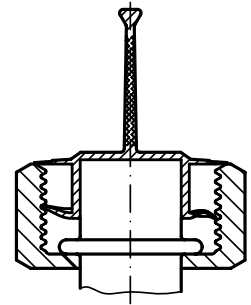
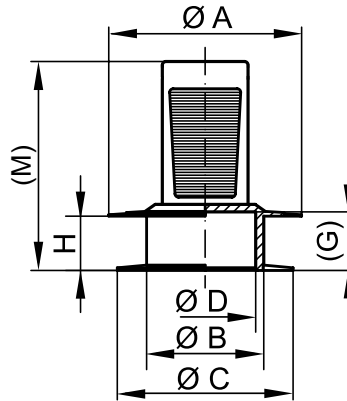
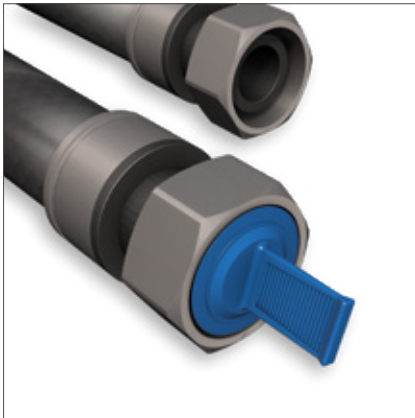
Free test samples:

+49 4442 982-9100

poeppele.com/en/gpn330blue



www.blauer-engel.de/uz30a



Dimensions

Item	A	B	C	D	(G)	H	(M)	Order no.
GPN 330 L 10 PCR-PE, blue	16	6,4	10,5	4,4	5,5	4,1	26,5	330 0010 RB61
GPN 330 L 12 PCR-PE, blue	14,3	6,4	12,3	4,4	5,5	4,1	26,5	330 0012 RB61
GPN 330 L 14 PCR-PE, blue	16,3	8,4	14,3	6,4	5,5	4,1	26,5	330 0014 RB61
GPN 330 L 16 PCR-PE, blue	18,3	10,4	16,3	8,4	5,5	4,1	26,5	330 0016 RB61
GPN 330 L 18 PCR-PE, blue	21	10,4	18,5	8,4	5,5	4,1	26,5	330 0018 RB61
GPN 330 L 19 PCR-PE, blue	21	13,6	19,7	11,6	8,3	6,1	29,3	330 0019 RB61
GPN 330 L 20 PCR-PE, blue	22,5	13,6	20,7	11,6	8,3	6,1	29,3	330 0020 RB61
GPN 330 L 22 PCR-PE, blue	25	16,4	22,9	14,4	8,3	7,6	29,3	330 0022 RB61
GPN 330 L 24 PCR-PE, blue	27	16,4	24,9	14,4	8,3	7,6	29,3	330 0024 RB61
GPN 330 L 27 PCR-PE, blue	30	19,6	27,9	17,6	8,3	8,1	29,3	330 0027 RB61
GPN 330 L 28 PCR-PE, blue	31	19,6	28,8	17,6	8,3	7,9	29,3	330 0028 RB61

Size in mm

[Application Guide »](#)

Standard colour: Recycling blue

Material: PCR-PE



More resource-saving.

The plastic used consists of 100 % recycled material.*



Saves time.

Flexible shaft ribs for accommodating large tolerances.



More versatile.

Flexible shaft ribs for accommodating large tolerances.



Better.

Suitable for bore holes and internal threads. Can also be used for special pipes with union nut. The ribs engage into the thread and position the union nut at the end of the conductor.

For information regarding materials, colours, drawings and the use of our items, please refer to pages 124/125.

These items might have colour variations and black dots which cannot be completely avoided in production. We recommend carrying out functional tests before series production.

* The article consists of 98 % PCR-PE (post consumer recycle) and 2 % color based on a PIR (post industrial recycle) carrier.

GRIP PLUGS

GPN 330 PCR-PE, blue

NEW

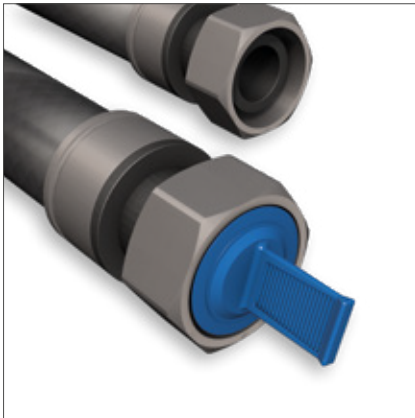
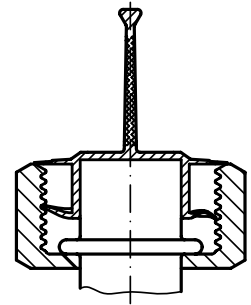
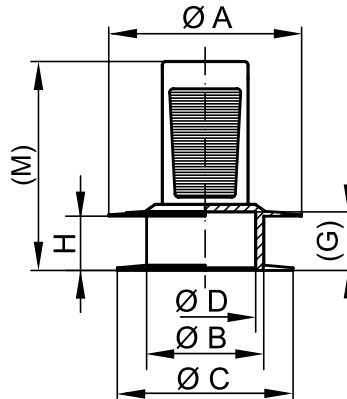
Free test samples:

+49 4442 982-9100

poeppele.com/en/gpn330blue



www.blauer-engel.de/uz30a



Application Guide*

Metric threads

Standard thread	Fine thread		Pipe thread	Item
	M 10 × 1		1/8	GPN 330 L 12 PCR-PE, blue
M 12	M 12 × 1	M 12 × 1,5	1/4	GPN 330 L 12 PCR-PE, blue
M 14	M 14 × 1	M 14 × 1,5	1/4	GPN 330 L 14 PCR-PE, blue
M 16	M 16 × 1	M 16 × 1,5	3/8	GPN 330 L 16 PCR-PE, blue
		M 17 × 2		GPN 330 L 16 PCR-PE, blue
M 18	M 18 × 1	M 18 × 1,5	3/8	GPN 330 L 18 PCR-PE, blue
		M 18 × 2		GPN 330 L 18 PCR-PE, blue
		M 19 × 1,5		GPN 330 L 18 PCR-PE, blue
	M 18 × 1		1/2	GPN 330 L 19 PCR-PE, blue
M 20	M 20 × 1	M 20 × 1,5		GPN 330 L 19 PCR-PE, blue
	M 20 × 1	M 20 × 1,5	1/2	GPN 330 L 20 PCR-PE, blue
	M 20 × 1	M 20 × 2		GPN 330 L 20 PCR-PE, blue
	M 22 × 1	M 22 × 1,5	5/8	GPN 330 L 22 PCR-PE, blue
M 24				GPN 330 L 22 PCR-PE, blue
	M 22 × 1	M 22 × 1,5	5/8	GPN 330 L 24 PCR-PE, blue
M 24	M 24 × 1	M 24 × 1,5		GPN 330 L 24 PCR-PE, blue
	M 25 × 1	M 25 × 1,5		GPN 330 L 24 PCR-PE, blue
	M 26 × 1	M 26 × 1,5	3/4	GPN 330 L 27 PCR-PE, blue
M 27	M 27 × 1	M 27 × 1,5		GPN 330 L 27 PCR-PE, blue
		M 28 × 1,5		GPN 330 L 27 PCR-PE, blue
	M 27 × 1	M 27 × 1,5	7/8	GPN 330 L 28 PCR-PE, blue
M 30	M 28 × 1	M 28 × 1,5		GPN 330 L 28 PCR-PE, blue
		M 28 × 2		GPN 330 L 28 PCR-PE, blue
		M 29 × 1,5		GPN 330 L 28 PCR-PE, blue
		M 30 × 2		GPN 330 L 28 PCR-PE, blue

* This application table is a guide only. We will be happy to send you free samples for testing. For apertures and bore holes without thread, please use dimensions B and C.

These items might have colour variations and black dots which cannot be completely avoided in production. We recommend carrying out functional tests before series production.

You might also be interested in the following products: GPN 305, GPN 308, GPN 310 PCR-PE, blue, GPN 615

Standard colour: Recycling blue

Material: PCR-PE



More resource-saving.

The plastic used consists of 100 % recycled material.*



Saves time.

Flexible shaft ribs for accommodating large tolerances.



More versatile.

Flexible shaft ribs for accommodating large tolerances.



Better.

Suitable for bore holes and internal threads. Can also be used for special pipes with union nut. The ribs engage into the thread and position the union nut at the end of the conductor.

* The article consists of 98 % PCR-PE (post consumer recycle) and 2 % color based on a PIR (post industrial recycle) carrier.