

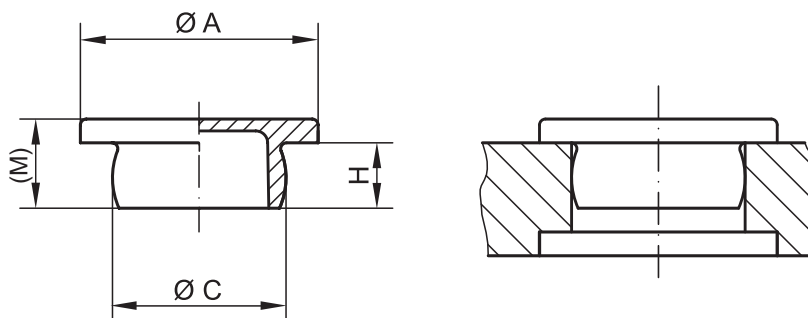
CLOSURE PLUGS

GPN 300 F

Black/Natural

Watch the film now:

poeppelmann.com/en/gpn300fs
poeppelmann.com/en/gpn300fn



Standard colours: Black/Natural

Material: PE-LD; PE-LLD (from GPN 300 F 52)



More versatile.

Multi functional use for internal threads and bore holes.



Cleaner.

Upon request, we can manufacture in the specially designed cleanroom in accordance with VDA Volume 19 and ISO 16232. For further information, please refer to page 129.



Greater variety.

The GPN 300 is available ex stock in black and also in natural. Please specify the desired colour when ordering.



Better.

Flat-headed design. Firm fit due to crowned shank.

Dimensions

Order no.

item	Dimensions				Order no.	
	A	C	H	(M)	Black	Natural
GPN 300 F 1	5	3.1	2	3	300 0001 9500	300 0001 0000
GPN 300 F 011	7	4.7	1.8	2.6	300 0110 9500	300 0110 0000
GPN 300 F 012	9	6.6	4	5.2	300 0120 9500	300 0120 0000
GPN 300 F 2	14	7.2	6	8	300 0002 9500	300 0002 0000
GPN 300 F 3	14	8.4	6	8	300 0003 9500	300 0003 0000
GPN 300 F 031	14	8.6	4.5	6.5	300 0310 9500	300 0310 0000
GPN 300 F 0315	18	8.6	6	8	300 0315 9500	300 0315 0000
GPN 300 F 032	13	8.8	7.5	9.5	300 0320 9500	300 0320 0000
GPN 300 F 4	14	9.2	4.5	6.5	300 0004 9500	300 0004 0000
GPN 300 F 041	14	9.4	4.5	6.5	300 0041 9500	300 0041 0000
GPN 300 F 042	13	10.3	5.5	7.5	300 0420 9500	300 0420 0000
GPN 300 F 5	14	10.7	5.5	7.5	300 0005 9500	300 0005 0000
GPN 300 F 7	16	11.7	7	9	300 0007 9500	300 0007 0000
GPN 300 F 9	16	12.3	7	9	300 0009 9500	300 0009 0000
GPN 300 F 091	16	13	7	9	300 0091 9500	300 0091 0000
GPN 300 F 10	20	13.7	8	10	300 0010 9500	300 0010 0000
GPN 300 F 11	20	14.6	5.5	7.5	300 0011 9500	300 0011 0000
GPN 300 F 111	20	15	8	10	300 0111 9500	300 0111 0000
GPN 300 F 112	20	15	5.5	7.5	300 0112 9500	300 0112 0000
GPN 300 F 12	20	15.6	8	10	300 0012 9500	300 0012 0000
GPN 300 F 14	22	16.7	5.5	7.5	300 0014 9500	300 0014 0000
GPN 300 F 141	22	16.5	5.5	7.5	300 0141 9500	300 0141 0000
GPN 300 F 142	20	16.5	5.5	7.5	300 0142 9500	300 0142 0000
GPN 300 F 15	22	17.1	8	10.5	300 0015 9500	300 0015 0000
GPN 300 F 17	25	18.4	8	10.5	300 0017 9500	300 0017 0000
GPN 300 F 18	25	19.3	8	10.8	300 0018 9500	300 0018 0000
GPN 300 F 181	25	21.4	7.5	9.5	300 0181 9500	300 0181 0000
GPN 300 F 182	25	21.7	8	10.5	300 0182 9500	300 0182 0000
GPN 300 F 183	25	19.6	8	10.5	300 0183 9500	300 0183 0000
GPN 300 F 184	25	21.2	8	10	300 0184 9500	300 0184 0000
GPN 300 F 19	25	20.7	8	10.5	300 0019 9500	300 0019 0000
GPN 300 F 21	28	22.4	9	12	300 0021 9500	300 0021 0000
GPN 300 F 211	28	23.6	9	12	300 0211 9500	300 0211 0000
GPN 300 F 22	28	24	9	12	300 0022 9500	300 0022 0000
GPN 300 F 23	28	24.6	9	12	300 0023 9500	300 0023 0000
GPN 300 F 231	27	24.5	8.5	11	300 0231 9500	300 0231 0000
GPN 300 F 232	28	25.5	7.5	9.5	300 0232 9500	300 0232 0000
GPN 300 F 233	28	26.5	9	12	300 0233 9500	300 0233 0000
GPN 300 F 24	36	29	11.7	14.7	300 0024 9500	300 0024 0000
GPN 300 F 241	36	30.5	12	15	300 0241 9500	300 0241 0000
GPN 300 F 242	36	31	12	15	300 0242 9500	300 0242 0000
GPN 300 F 25	36	32	10	12.5	300 0025 9500	300 0025 0000
GPN 300 F 26	36	33.5	12	14	300 0026 9500	300 0026 0000
GPN 300 F 27	42	34.8	15	18	300 0027 9500	300 0027 0000
GPN 300 F 271	42	35.5	15	18	300 0271 9500	300 0271 0000
GPN 300 F 28	42	36.5	15	18	300 0028 9500	300 0028 0000

Size in mm

» Continued on page 66

For information regarding materials, colours, drawings and the use of our items, please refer to pages 124/125.

You might also be interested in the following products: GPN 350, GPN 600, GPN 615

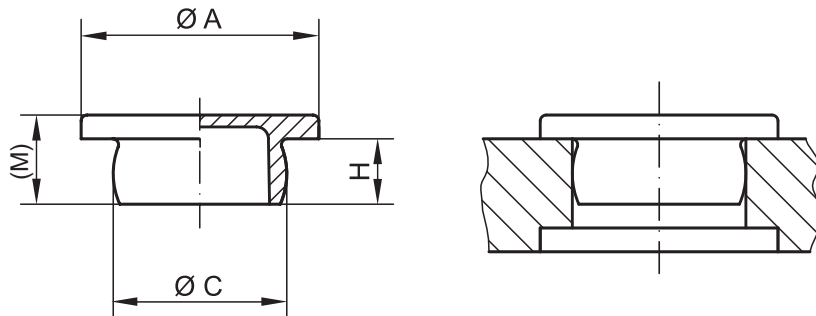
CLOSURE PLUGS

GPN 300 F

Black/Natural

Watch the film now:

poeppelmann.com/en/gpn300fs
poeppelmann.com/en/gpn300fn



« Continued from page 65



Standard colours: Black/Natural

Material: PE-LD; PE-LLD (from GPN 300 F 52)

Dimensions

Order no.

item	Dimensions				Order no.	
	A	C	H	(M)	Black	Natural
GPN 300 F 30	42	38.4	10	12.5	300 0030 9500	300 0030 0000
GPN 300 F 301	42	39	15	18	300 0301 9500	300 0301 0000
GPN 300 F 31	42	40	15	18	300 0031 9500	300 0031 0000
GPN 300 F 311	45	40.7	15	18	300 0311 9500	300 0311 0000
GPN 300 F 312	48	42.3	15	18	300 0312 9500	300 0312 0000
GPN 300 F 32	55	46	18	21	300 0032 9500	300 0032 0000
GPN 300 F 33	55	48.5	12	15	300 0033 9500	300 0033 0000
GPN 300 F 35	55	51.5	18	21	300 0035 9500	300 0035 0000
GPN 300 F 37	63	55	18	21	300 0037 9500	300 0037 0000
GPN 300 F 38	63	55.8	18	21	300 0038 9500	300 0038 0000
GPN 300 F 40	63	58	18	21	300 0040 9500	300 0040 0000
GPN 300 F 401	71	66	18	21.5	300 0401 9500	300 0401 0000
GPN 300 F 402	63	59	18	21.3	300 0402 9500	300 0402 0000
GPN 300 F 41	78	71	18	22	300 0410 9500	300 0410 0000
GPN 300 F 411	86	75.8	19	22	300 0411 9500	300 0411 0000
GPN 300 F 42	95	86	18	19.3	300 0042 9500	300 0042 0000
GPN 300 F 44	124	102.5	18	21.5	300 0044 9500	300 0044 0000
GPN 300 F 47	152	123.5	18	21.5	300 0047 9500	300 0047 0000
GPN 300 F 52	165	152	17.5	20	300 0052 9500	300 0052 0000
GPN 300 F 55	200	182	19.5	22	300 0055 9500	300 0055 0000

Size in mm

» Guide values for use can be found on page 68



More versatile.

Multi functional use for internal threads and bore holes.



Cleaner.

Upon request, we can manufacture in the specially designed cleanroom in accordance with VDA Volume 19 and ISO 16232. For further information, please refer to page 129.



Greater variety.

The GPN 300 is available ex stock in black and also in natural. Please specify the desired colour when ordering.



Better.

Flat-headed design. Firm fit due to crowned shank.

For information regarding materials, colours, drawings and the use of our items, please refer to pages 124/125.

You might also be interested in the following products: GPN 350, GPN 600, GPN 615

GPN 300



F-Type



V-Type



Better.

When selecting these sealing plugs, please note that the shaft diameter C must be approx. 0.2 to 0.8 mm (depending on the nominal size) larger than the bore hole to be protected or the core diameter of the thread to be closed.

Application Guide

Standard thread	Metric threads		Pipe thread	item	
		Fine thread		F-Type	V-Type
M 3.5				GPN 300 F 1	
	M 5 × 0.5			GPN 300 F 011	
M 7					GPN 300 V 011
	M 7.5 × 1			GPN 300 F 012	
M 8	M 8 × 1		1/16	GPN 300 F 2	GPN 300 V 2
	M 9 × 1			GPN 300 F 3	GPN 300 V 3
M 10				GPN 300 F 031	GPN 300 V 031
M 10				GPN 300 F 0315	
M 10	M 9.5 × 1		1/8	GPN 300 F 032	
	M 10 × 1		1/8	GPN 300 F 4	GPN 300 V 4
	M 10 × 1			GPN 300 F 041	GPN 300 V 041
M 12	M 11 × 1			GPN 300 F 042	
M 12		M 12 × 1.5		GPN 300 F 5	GPN 300 V 5
	M 12 × 1	M 13 × 1.5	1/4	GPN 300 F 7	GPN 300 V 7
M 14	M 13 × 1		1/4	GPN 300 F 9	GPN 300 V 9
	M 13.5 × 1	M 14 × 1.5		GPN 300 F 091	GPN 300 V 091
		M 15 × 1.5		GPN 300 F 10	GPN 300 V 10
M 16	M 15 × 1			GPN 300 F 11	GPN 300 V 11
		M 16 × 1.5		GPN 300 F 111	GPN 300 V 111
		M 16 × 1.5		GPN 300 F 112	GPN 300 V 112
M 18	M 16 × 1		3/8	GPN 300 F 12	GPN 300 V 12
		M 18 × 1.5		GPN 300 F 14	GPN 300 V 14
	M 17 × 1	M 18 × 1.5		GPN 300 F 141	
	M 17 × 1	M 18 × 1.5		GPN 300 F 142	GPN 300 V 142
		M 18 × 1.5		GPN 300 F 15	GPN 300 V 15
	M 19 × 1	M 20 × 2		GPN 300 F 17	GPN 300 V 17
	M 20 × 1	M 21 × 2	1/2	GPN 300 F 18	GPN 300 V 18
M 24	M 22 × 1	M 23 × 2		GPN 300 F 181	GPN 300 V 181
	M 22 × 1			GPN 300 F 182	GPN 300 V 182
M 22		M 21 × 1.5		GPN 300 F 183	GPN 300 V 183
M 24	M 22 × 1		5/8	GPN 300 F 184	GPN 300 V 184
		M 22 × 1.5		GPN 300 F 19	GPN 300 V 19
	M 23 × 1	M 24 × 2		GPN 300 F 21	GPN 300 V 21
	M 24 × 1	M 25 × 1.5		GPN 300 F 211	GPN 300 V 211
M 27		M 25 × 1.5		GPN 300 F 22	GPN 300 V 22
	M 25 × 1	M 26 × 1.5		GPN 300 F 23	GPN 300 V 23
M 25	M 25 × 1	M 26 × 2	3/4	GPN 300 F 231	GPN 300 V 23
	M 26 × 1	M 27 × 2		GPN 300 F 232	GPN 300 V 232
M 30	M 27 × 1	M 28 × 2		GPN 300 F 233	GPN 300 V 233
		M 30 × 1.5		GPN 300 F 24	GPN 300 V 24
	M 31 × 1	M 32 × 2	1	GPN 300 F 241	GPN 300 V 241
		M 32 × 1.5	1	GPN 300 F 242	
M 36		M 33 × 1.5		GPN 300 F 25	GPN 300 V 25
	M 34 × 1	M 35 × 2		GPN 300 F 26	GPN 300 V 26
		M 36 × 1.5		GPN 300 F 27	GPN 300 V 27
M 39	M 36 × 1	M 37 × 2	1 1/8	GPN 300 F 271	GPN 300 V 271
	M 37 × 1	M 38 × 2		GPN 300 F 28	GPN 300 V 28
	M 39 × 1	M 40 × 2		GPN 300 F 30	GPN 300 V 30
		M 40 × 1.5		GPN 300 F 301	GPN 300 V 301
M 45		M 42 × 1.5		GPN 300 F 311	GPN 300 V 311
				GPN 300 F 312	GPN 300 V 312
				GPN 300 F 32	
		M 50 × 2		GPN 300 F 33	GPN 300 V 33
	M 52 × 1		1 3/4	GPN 300 F 35	GPN 300 V 35
		M 56 × 1.5		GPN 300 F 37	GPN 300 V 37
	M 56 × 1			GPN 300 F 38	GPN 300 V 38
M 64				GPN 300 F 40	GPN 300 V 40
		M 62 × 4		GPN 300 F 401	GPN 300 V 401
		M 70 × 4		GPN 300 F 402	
	M 60 × 1.5			GPN 300 F 41	GPN 300 V 41
	M 72 × 1.5	M 75 × 4		GPN 300 F 42	
		M 90 × 4		GPN 300 F 44	
		M 105 × 3		GPN 300 F 47	
		M 125 × 2		GPN 300 F 52	
		M 155 × 3		GPN 300 F 55	
		M 185 × 3			

« F type dimensions from page 65; V type dimensions from page 67

This application table is a guide only. We would be happy to send you free samples for testing.