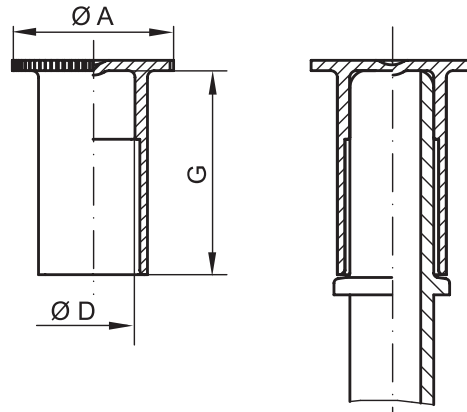


SAE SEALING CAPS

# GPN 241

Watch the film now:  
[poepelmann.com/en/gpn241](http://poepelmann.com/en/gpn241)



**Standard colour:** Yellow  
**Material:** PE-LD

**Suitable for external**

**Dimensions**

item	Nominal width of SAE connector	Dimensions			Order no.
		A	D	G	
GPN 241 DF 8*	8	16	7.8	17.9	241 0008 0000
GPN 241 DF 9.5	9.5	17	9.4	19	241 0095 0000
GPN 241 DF 10	10	18	9.8	22.8	241 0010 0000
GPN 241 DF 12.7	12.7	20	12.5	23.5	241 0127 0000
GPN 241 DF 16	16	24	15.54	24	241 0016 0000
GPN 241 DF 18	18	25	17.8	21	241 0018 0000

Size in mm

For information regarding materials, colours, drawings and the use of our items, please refer to pages 124/125.

\*This size is additionally supplied with inner ribs.

**You might also be interested in the following products: GPN 211, GPN 240, GPN 245**



**Better fit.**

For protecting the mating surfaces of SAE quick-connect plugs.



**Seals better.**

The SAE connector can withstand short-term pressurisation of approx. 1 bar, depending on its surface quality.



**Cleaner.**

Upon request, we can manufacture in the specially designed cleanroom in accordance with VDA Volume 19 and ISO 16232. For further information, please refer to page 129.



**Better.**

Diameter A prevents accidental assembly with a quick connector.