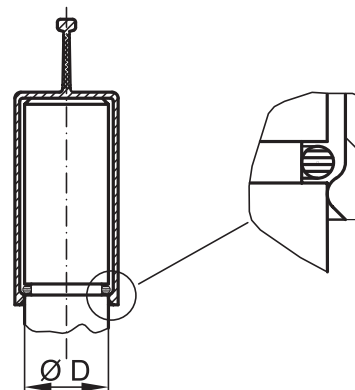
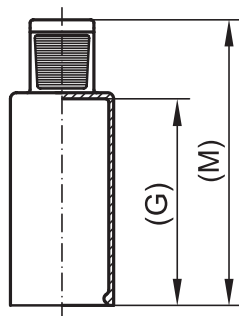


GPN 211

Free test samples:

+49 4442 982-9100

poeppele.com/en/gpn211



Standard colour: Yellow

Material: TPE (plasticiser-free)



Saves time.

With ergonomically designed removal tab for easy handling.



Higher temperature resistance.

Heat resistant to 150 °C. More details: page 125, "Physical properties".



More versatile.

Suitable for different diameters due to flexible material.



Better.

Suitable for pipe ends, hoses and studs. With circumferential sealing lip for a firm fit.

Suitable for external

Dimensions

item	diameter D	Dimensions		Order no.
		(G)	(M)	
GPN 211 ZL 4 × 21	4 - 5	21	34	211 0421 0000
GPN 211 ZL 5 × 20	5 - 6	20	36	211 0520 0000
GPN 211 ZL 6 × 10	6 - 7.5	10	26	211 0610 0000
GPN 211 ZL 6 × 20	6 - 7.5	20	36	211 0620 0000
GPN 211 ZL 7 × 20	7 - 8	20	37	211 0720 0000
GPN 211 ZL 8 × 10	7.9 - 9	10	26	211 0810 0000
GPN 211 ZL 8 × 20	7.9 - 9	20	36	211 0820 0000
GPN 211 ZL 9 × 20	9 - 10.5	20	36	211 0920 0000
GPN 211 ZL 10 × 10	9.9 - 11.5	10	26	211 1010 0000
GPN 211 ZL 10 × 20	9.9 - 11.5	20	36	211 1020 0000
GPN 211 ZL 11 × 20	10.9 - 12.5	20	36	211 1120 0000
GPN 211 ZL 12 × 10	11.9 - 13	10	26	211 1210 0000
GPN 211 ZL 12 × 20	11.9 - 13	20	36	211 1220 0000
GPN 211 ZL 12 × 30	11.9 - 13	30	46.5	211 1230 0000
GPN 211 ZL 13 × 20	12.9 - 15	20	36	211 1320 0000
GPN 211 ZL 14 × 10	13.9 - 16	10	36	211 1410 0000
GPN 211 ZL 14 × 20	13.9 - 16	20	36	211 1420 0000
GPN 211 ZL 15 × 20	14.9 - 17	20	36	211 1520 0000
GPN 211 ZL 16 × 10	15.9 - 18	10	16	211 1610 0000
GPN 211 ZL 16 × 20	15.9 - 18	20	36	211 1620 0000
GPN 211 ZL 17 × 20	16.9 - 19	20	36	211 1720 0000
GPN 211 ZL 18 × 10	17.9 - 20	10	26	211 1810 0000
GPN 211 ZL 18 × 20	17.9 - 20	20	36	211 1820 0000
GPN 211 ZL 19 × 20	18.9 - 21	20	36	211 1920 0000
GPN 211 ZL 20 × 10	20 - 22	10	26	211 2010 0000
GPN 211 ZL 20 × 20	20 - 22	20	36	211 2020 0000
GPN 211 ZL 20 × 30	20 - 22	30	45	211 2030 0000
GPN 211 ZL 22 × 20	22 - 24	20	36	211 2220 0000
GPN 211 ZL 24 × 20	24 - 26	20	35	211 2420 0000
GPN 211 ZL 26 × 20	26 - 28	20	36.5	211 2620 0000
GPN 211 ZL 28 × 20	28 - 30	20	36.5	211 2820 0000
GPN 211 ZL 30 × 20	30 - 32	20	36.5	211 3020 0000

Size in mm

For information regarding materials, colours, drawings and the use of our items, please refer to pages 124/125.

The engraving equals the GPN 210 standard series.

You might also be interested in the following products: GPN 201, GPN 215, GPN 241, GPN 255