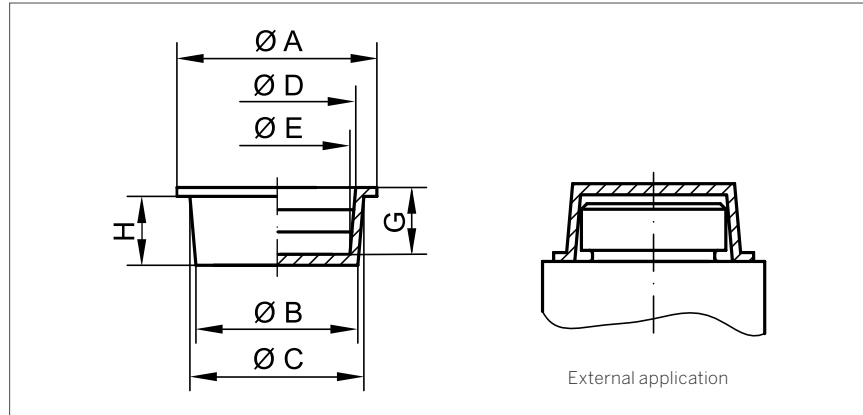


Tapered Closures

GPN 600



Dimensions							
A	B	C	H	External application			Order no.
				D	E	G	
11.0	8.1	9.2	7.2	7.8	6.6	7.0	600 B 81
12.0	9.8	11.0	7.2	9.6	8.4	7.0	600 B 98
14.0	10.6	11.6	7.0	10.0	8.8	6.9	600 B 106
15.0	11.4	12.4	7.0	11.2	10.0	6.8	600 B 114
16.0	13.3	14.4	7.0	12.8	11.6	6.8	600 B 133
17.0	14.0	15.1	7.2	13.6	12.4	6.9	600 B 140
18.0	14.6	15.6	7.2	14.5	13.3	6.9	600 B 146
18.0	15.3	16.4	7.0	14.8	13.6	7.0	600 B 153
20.0	16.0	17.3	9.0	16.2	14.6	8.8	600 B 160
21.0	17.4	18.8	9.2	18.0	16.4	8.8	600 B 174
22.0	18.2	19.6	9.0	18.8	17.2	8.8	600 B 182
24.0	18.7	20.0	9.2	19.0	17.7	8.7	600 B 187
24.0	19.8	21.2	8.8	19.7	18.3	8.8	600 B 198
25.0	20.3	22.6	14.0	20.8	18.4	13.8	600 B 203
26.0	21.2	23.3	14.2	22.0	19.6	14.0	600 B 212
28.0	23.0	25.0	14.0	24.0	21.6	13.8	600 B 230
30.0	24.3	26.4	14.0	25.0	22.6	13.6	600 B 243
30.0	25.7	27.8	14.2	26.8	24.4	13.8	600 B 257
32.0	27.2	29.3	14.0	27.0	24.6	13.8	600 B 272
35.0	30.0	32.0	14.0	30.6	28.4	13.8	600 B 300
38.0	32.0	34.0	14.0	32.0	29.6	14.0	600 B 320
40.0	33.6	36.0	14.0	34.0	31.6	14.0	600 B 336
41.0	34.5	37.0	14.0	35.0	32.6	14.0	600 B 345
42.0	35.5	38.1	14.0	35.5	33.1	14.0	600 B 355
42.0	36.0	38.4	14.0	36.0	33.6	14.0	600 B 360
44.0	37.9	40.0	13.8	38.0	35.6	13.8	600 B 379
43.0	38.5	41.0	14.0	39.5	37.1	14.0	600 B 385
46.0	39.8	42.0	14.0	39.5	37.1	14.0	600 B 398
47.0	41.3	43.5	14.0	41.5	39.1	14.0	600 B 413
51.5	43.9	46.0	13.5	42.0	40.2	13.6	600 B 439
52.0	45.5	47.5	13.5	45.0	43.0	13.6	600 B 455
54.0	47.9	50.0	13.5	46.5	44.1	13.6	600 B 479
56.0	49.8	51.6	13.3	48.5	46.1	13.5	600 B 498
55.0	50.5	53.3	14.0	51.3	48.8	14.2	600 B 505
58.0	52.5	54.9	13.5	52.5	50.6	13.5	600 B 525
60.0	54.5	56.2	13.5	54.0	51.6	13.5	600 B 545
61.0	55.5	58.0	13.6	55.0	52.6	13.5	600 B 555
63.0	57.0	59.0	13.4	56.8	54.5	13.5	600 B 570
64.0	58.5	60.8	13.5	58.0	55.6	13.5	600 B 585
66.0	60.5	63.0	13.5	60.0	57.6	14.0	600 B 605
67.0	61.3	63.5	13.0	61.0	58.6	13.5	600 B 613
68.0	62.5	64.8	13.2	62.0	59.6	13.5	600 B 625
69.0	63.5	65.7	13.0	63.0	60.1	13.5	600 B 635
71.0	65.0	67.3	13.0	64.5	62.3	13.3	600 B 650
72.0	66.0	67.5	13.0	65.0	62.6	13.0	600 B 660
74.0	67.9	69.5	13.0	67.0	64.6	13.5	600 B 679
75.0	69.8	71.7	13.0	68.0	66.0	13.5	600 B 698
77.0	71.5	73.4	13.0	70.0	67.6	13.0	600 B 715
79.0	72.8	74.0	13.0	70.0	67.6	13.5	600 B 728
85.0	74.0	76.6	17.0	73.0	69.9	17.0	600 B 740
87.0	76.5	79.0	16.8	76.5	73.4	17.0	600 B 765
88.0	77.5	80.0	17.0	76.0	72.9	17.2	600 B 775
90.0	79.0	82.0	17.0	78.0	75.4	17.2	600 B 790
92.0	81.5	83.6	16.5	80.0	76.9	17.0	600 B 815
89.0	82.0	86.0	23.0	83.9	79.7	23.5	600 B 820
95.0	84.0	87.1	16.5	83.0	79.9	17.0	600 B 840

Your KAPSTO® quality benefits:



Multifunctional: Can be used universally as plug or cap. The tapered design is ideal for accommodating tolerances.



Additional information: To close off bore holes and internal threads, or to protect studs and external threads.

Material: PE-LD; from GPN 600 B 915: PE-LLD
Color: Natural

► Continued on page 23



PÖPPELMANN

We will be happy to advise you: +1 828-466-9519

KAPSTO®

Tapered Closures

GPN 600

◀ Continued from page 22

Dimensions							Order no.
A	B	C	H	External application			
				D	E	G	
97.0	86.5	89.0	17.5	86.0	82.9	18.0	600 B 865
100.0	89.0	91.5	17.0	89.0	86.5	17.5	600 B 890
102.0	91.5	94.0	17.0	92.0	88.9	17.5	600 B 915
105.0	94.0	96.0	17.0	92.0	90.0	17.5	600 B 940
107.0	96.5	99.0	17.0	96.0	92.9	17.5	600 B 965
110.0	99.0	102.5	17.0	99.0	95.9	17.5	600 B 990
112.0	101.5	104.0	17.0	102.0	98.9	17.3	600 B 1015
115.0	104.0	106.5	17.0	104.0	100.9	17.5	600 B 1040
117.0	106.5	109.0	17.0	106.0	102.9	17.2	600 B 1065
120.0	109.0	111.0	17.0	108.0	105.0	17.5	600 B 1090
123.0	112.0	114.5	17.0	112.5	109.4	17.0	600 B 1120
125.0	114.0	117.0	16.6	114.5	111.4	17.2	600 B 1140
124.5	114.3	119.2	28.0	117.1	112.1	28.7	600 B 1143
130.0	119.0	123.0	23.0	120.2	116.1	23.0	600 B 1190
134.0	124.0	128.0	23.0	123.0	119.1	23.0	600 B 1240
137.6	127.5	130.6	23.0	127.6	123.6	22.5	600 B 1275
140.0	129.0	133.0	23.0	130.2	126.1	23.5	600 B 1290
143.0	133.0	137.0	23.0	133.0	129.0	22.5	600 B 1330
149.0	139.0	143.0	23.0	139.0	135.0	23.0	600 B 1390
159.5	146.8	152.6	33.0	149.9	144.0	33.5	600 B 1468
159.0	149.0	153.0	23.0	148.0	144.1	23.3	600 B 1490
163.6	153.5	157.5	23.0	153.6	149.6	23.0	600 B 1535
169.0	159.0	162.0	23.0	158.0	154.0	23.0	600 B 1590
170.0	160.0	164.0	23.0	160.0	156.0	23.0	600 B 1600
179.0	169.0	172.0	23.0	168.0	164.0	23.0	600 B 1690
184.0	174.0	177.0	23.0	173.0	169.0	22.5	600 B 1740
189.0	179.0	182.0	23.0	178.0	174.0	23.0	600 B 1790
192.0	181.5	184.5	23.0	180.5	176.5	23.0	600 B 1815
199.5	183.6	190.6	33.0	187.9	182.0	33.8	600 B 1836
209.0	199.0	202.0	22.5	198.0	194.0	22.5	600 B 1990
212.0	202.0	205.0	23.0	202.1	198.1	23.0	600 B 2020
213.0	203.0	205.0	23.0	202.0	199.0	23.0	600 B 2030
216.0	206.0	210.6	23.5	206.0	201.6	23.5	600 B 2060
235.0	218.0	222.0	22.5	217.4	213.5	22.5	600 B 2180
242.0	225.0	229.0	23.5	225.4	221.3	23.0	600 B 2250*
249.5	231.2	238.2	33.0	235.6	228.6	33.5	600 B 2312
267.0	249.0	252.0	22.5	248.0	244.1	22.5	600 B 2490
265.0	253.0	258.0	18.0	253.0	249.2	18.0	600 B 2530
314.0	293.4	300.2	32.5	296.7	289.8	33.0	600 B 2934
315.0	299.0	304.0	22.5	298.0	294.1	22.5	600 B 2990
326.0	308.0	313.0	21.8	308.0	303.4	21.8	600 B 3080
329.0	311.0	316.0	22.0	311.0	306.4	21.7	600 B 3110
358.0	338.0	343.0	22.0	338.0	333.4	21.8	600 B 3380
399.0	371.9	381.0	32.5	377.7	368.4	32.8	600 B 3719*
415.0	398.0	406.0	30.0	399.0	392.7	29.8	600 B 3980
455.0	435.0	443.0	30.0	437.0	430.7	30.0	600 B 4350
499.0	465.4	476.7	32.0	472.8	461.3	33.0	600 B 4654
506.0	484.0	491.0	30.0	486.0	479.7	30.0	600 B 4840

Size in mm

► Application guide data for exterior use, see page 24

Color and material alternatives, additional sizes, bespoke designs and technical cleanliness on request. For more information about materials, colors, drawings and application of our items, please see page 114/115.

*These sizes are supplied with bore.



PÖPPELMANN

KAPSTO®

Contact, product search, CAD data download and sample request: www.poepelmann.com

Tapered Closures

GPN 600



Additional information: This application table is a guide only. We will be happy to send you free samples for testing. For studs, pins and pipe ends, please use dimensions D and E. Color and material alternatives, additional sizes, bespoke designs and technical cleanliness on request. For more information about materials, colors, drawings and application of our items, please see page 114/115.

Application guide data for exterior use

Standard thread	Metric threads					Pipe thread	Order no.
	Fine thread						
M 7							600 B 81
M 9	M 9 x 1						600 B 98
	M 10.5 x 1						600 B 114
M 12	M 12 x 1	M 12 x 1.5					600 B 133
	M 13 x 1	M 13 x 1.5					600 B 140
M 14	M 14 x 1	M 14 x 1.5					600 B 146
	M 15 x 1	M 15 x 1.5					600 B 160
	M 17 x 1						600 B 174
M 18	M 18 x 1	M 18 x 1.5	M 18 x 2				600 B 182
	M 19 x 1	M 19 x 1.5	M 19 x 2				600 B 203
						1/2	600 B 212
M 22	M 22 x 1	M 22 x 1.5	M 22 x 2				600 B 230
M 24	M 24 x 1	M 24 x 1.5	M 24 x 2				600 B 243
	M 25 x 1	M 25 x 1.5	M 25 x 2				600 B 257
	M 26 x 1	M 26 x 1.5	M 26 x 2				600 B 272
M 30	M 30 x 1	M 30 x 1.5	M 30 x 2	M 30 x 3		7/8	600 B 320
	M 32 x 1	M 32 x 1.5	M 32 x 2	M 32 x 3			600 B 336
M 33	M 33 x 1	M 33 x 1.5	M 33 x 2	M 33 x 3		1	600 B 345
	M 34 x 1	M 34 x 1.5	M 34 x 2	M 34 x 3			600 B 355
		M 35 x 1.5					600 B 360
	M 38 x 1	M 38 x 1.5	M 38 x 2	M 38 x 3		1 1/8	600 B 385
	M 38 x 1	M 38 x 1.5	M 38 x 2	M 38 x 3		1 1/8	600 B 398
	M 40 x 1	M 40 x 1.5	M 40 x 2	M 40 x 3			600 B 413
M 45	M 45 x 1	M 45 x 1.5	M 45 x 2	M 45 x 3	M 45 x 4		600 B 479
						1 1/2	600 B 498
	M 50 x 1	M 50 x 1.5	M 50 x 2	M 50 x 3	M 50 x 4		600 B 505
	M 50 x 1	M 50 x 1.5	M 50 x 2	M 50 x 3	M 50 x 4		600 B 525
						1 3/4	600 B 555
M 60	M 60 x 1	M 60 x 1.5	M 60 x 2	M 60 x 3	M 60 x 4		600 B 613
M 64	M 64 x 1	M 64 x 1.5	M 64 x 2	M 64 x 3	M 64 x 4		600 B 660
						2 1/4	600 B 679
	M 75 x 1	M 75 x 1.5	M 75 x 2	M 75 x 3	M 75 x 4		600 B 765
	M 78 x 1	M 78 x 1.5	M 78 x 2	M 78 x 3	M 78 x 4		600 B 815
						2 3/4	600 B 840
		M 90 x 1.5	M 90 x 2	M 90 x 3	M 90 x 4	M 90 x 6	600 B 915
		M 100 x 1.5	M 100 x 2	M 100 x 3	M 100 x 4	M 100 x 6	600 B 1015
		M 102 x 1.5	M 102 x 2	M 102 x 3	M 102 x 4		600 B 1040
		M 110 x 1.5	M 110 x 2	M 110 x 3	M 110 x 4	M 110 x 6	600 B 1120
		M 112 x 1.5	M 112 x 2	M 112 x 3	M 112 x 4		600 B 1140
		M 115 x 1.5	M 115 x 2	M 115 x 3	M 115 x 4	M 115 x 6	600 B 1143
		M 118 x 1.5	M 118 x 2	M 118 x 3	M 118 x 4		600 B 1190
		M 120 x 1.5	M 120 x 2	M 120 x 3	M 120 x 4	M 120 x 6	600 B 1240
		M 125 x 1.5	M 125 x 2	M 125 x 3	M 125 x 4	M 125 x 6	600 B 1275
		M 128 x 1.5	M 128 x 2	M 128 x 3	M 128 x 4		600 B 1290
		M 130 x 1.5	M 130 x 2	M 130 x 3	M 130 x 4	M 130 x 6	600 B 1330
		M 145 x 1.5	M 145 x 2	M 145 x 3	M 145 x 4	M 145 x 6	600 B 1468
		M 145 x 1.5	M 145 x 2	M 145 x 3	M 145 x 4	M 145 x 6	600 B 1490
		M 150 x 1.5	M 150 x 2	M 150 x 3	M 150 x 4	M 150 x 6	600 B 1535
		M 155 x 1.5	M 155 x 2	M 155 x 3	M 155 x 4	M 155 x 6	600 B 1590
		M 165 x 1.5	M 165 x 2	M 165 x 3	M 165 x 4	M 165 x 6	600 B 1690
		M 170 x 1.5	M 170 x 2	M 170 x 3	M 170 x 4	M 170 x 6	600 B 1740
		M 175 x 1.5	M 175 x 2	M 175 x 3	M 175 x 4	M 175 x 6	600 B 1790
		M 178 x 1.5	M 178 x 2	M 178 x 3			600 B 1815
		M 182 x 1.5	M 182 x 2	M 182 x 3	M 182 x 4		600 B 1836
		M 195 x 1.5	M 195 x 2	M 195 x 3	M 195 x 4	M 195 x 6	600 B 1990
		M 200 x 1.5	M 200 x 2	M 200 x 3	M 200 x 4	M 200 x 6	600 B 2020
		M 200 x 1.5	M 200 x 2	M 200 x 3	M 200 x 4	M 200 x 6	600 B 2030
		M 215 x 1.5	M 215 x 2	M 215 x 3	M 215 x 4	M 215 x 6	600 B 2180
		M 230 x 1.5	M 230 x 2	M 230 x 3	M 230 x 4	M 230 x 6	600 B 2312
		M 245 x 1.5	M 245 x 2	M 245 x 3	M 245 x 4	M 245 x 6	600 B 2490
		M 250 x 1.5	M 250 x 2		M 250 x 4	M 250 x 6	600 B 2530
		M 292 x 1.5	M 292 x 2		M 292 x 4		600 B 2934
		M 295 x 1.5	M 295 x 2		M 295 x 4	M 295 x 6	600 B 2990

Size in mm

◀ Dimensions on pages 22/23

>> You also might be interested in the following products: GPN 610, GPN 615, GPN 620

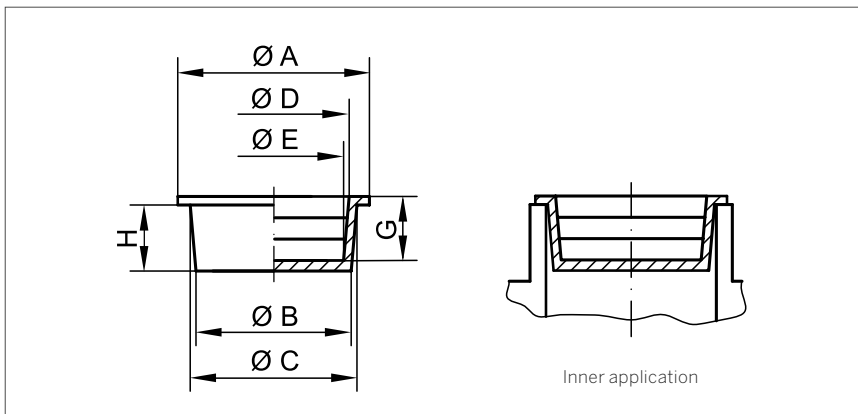

PÖPPELMANN

We will be happy to advise you: +1 828-466-9519

KAPSTO®

Tapered Closures

GPN 600



Dimensions							Order no.
A	Inner application			D	E	G	
	B	C	H				
11.0	8.1	9.2	7.2	7.8	6.6	7.0	600 B 81
12.0	9.8	11.0	7.2	9.6	8.4	7.0	600 B 98
14.0	10.6	11.6	7.0	10.0	8.8	6.9	600 B 106
15.0	11.4	12.4	7.0	11.2	10.0	6.8	600 B 114
16.0	13.3	14.4	7.0	12.8	11.6	6.8	600 B 133
17.0	14.0	15.1	7.2	13.6	12.4	6.9	600 B 140
18.0	14.6	15.6	7.2	14.5	13.3	6.9	600 B 146
18.0	15.3	16.4	7.0	14.8	13.6	7.0	600 B 153
20.0	16.0	17.3	9.0	16.2	14.6	8.8	600 B 160
21.0	17.4	18.8	9.2	18.0	16.4	8.8	600 B 174
22.0	18.2	19.6	9.0	18.8	17.2	8.8	600 B 182
24.0	18.7	20.0	9.2	19.0	17.7	8.7	600 B 187
24.0	19.8	21.2	8.8	19.7	18.3	8.8	600 B 198
25.0	20.3	22.6	14.0	20.8	18.4	13.8	600 B 203
26.0	21.2	23.3	14.2	22.0	19.6	14.0	600 B 212
28.0	23.0	25.0	14.0	24.0	21.6	13.8	600 B 230
30.0	24.3	26.4	14.0	25.0	22.6	13.6	600 B 243
30.0	25.7	27.8	14.2	26.8	24.4	13.8	600 B 257
32.0	27.2	29.3	14.0	27.0	24.6	13.8	600 B 272
35.0	30.0	32.0	14.0	30.6	28.4	13.8	600 B 300
38.0	32.0	34.0	14.0	32.0	29.6	14.0	600 B 320
40.0	33.6	36.0	14.0	34.0	31.6	14.0	600 B 336
41.0	34.5	37.0	14.0	35.0	32.6	14.0	600 B 345
42.0	35.5	38.1	14.0	35.5	33.1	14.0	600 B 355
42.0	36.0	38.4	14.0	36.0	33.6	14.0	600 B 360
44.0	37.9	40.0	13.8	38.0	35.6	13.8	600 B 379
43.0	38.5	41.0	14.0	39.5	37.1	14.0	600 B 385
46.0	39.8	42.0	14.0	39.5	37.1	14.0	600 B 398
47.0	41.3	43.5	14.0	41.5	39.1	14.0	600 B 413
51.5	43.9	46.0	13.5	42.0	40.2	13.6	600 B 439
52.0	45.5	47.5	13.5	45.0	43.0	13.6	600 B 455
54.0	47.9	50.0	13.5	46.5	44.1	13.6	600 B 479
56.0	49.8	51.6	13.3	48.5	46.1	13.5	600 B 498
55.0	50.5	53.3	14.0	51.3	48.8	14.2	600 B 505
58.0	52.5	54.9	13.5	52.5	50.6	13.5	600 B 525
60.0	54.5	56.2	13.5	54.0	51.6	13.5	600 B 545
61.0	55.5	58.0	13.6	55.0	52.6	13.5	600 B 555
63.0	57.0	59.0	13.4	56.8	54.5	13.5	600 B 570
64.0	58.5	60.8	13.5	58.0	55.6	13.5	600 B 585
66.0	60.5	63.0	13.5	60.0	57.6	14.0	600 B 605
67.0	61.3	63.5	13.0	61.0	58.6	13.5	600 B 613
68.0	62.5	64.8	13.2	62.0	59.6	13.5	600 B 625
69.0	63.5	65.7	13.0	63.0	60.1	13.5	600 B 635
71.0	65.0	67.3	13.0	64.5	62.3	13.3	600 B 650
72.0	66.0	67.5	13.0	65.0	62.6	13.0	600 B 660
74.0	67.9	69.5	13.0	67.0	64.6	13.5	600 B 679
75.0	69.8	71.7	13.0	68.0	66.0	13.5	600 B 698
77.0	71.5	73.4	13.0	70.0	67.6	13.0	600 B 715
79.0	72.8	74.0	13.0	70.0	67.6	13.5	600 B 728
85.0	74.0	76.6	17.0	73.0	69.9	17.0	600 B 740
87.0	76.5	79.0	16.8	76.5	73.4	17.0	600 B 765
88.0	77.5	80.0	17.0	76.0	72.9	17.2	600 B 775
90.0	79.0	82.0	17.0	78.0	75.4	17.2	600 B 790
92.0	81.5	83.6	16.5	80.0	76.9	17.0	600 B 815
89.0	82.0	86.0	23.0	83.9	79.7	23.5	600 B 820
95.0	84.0	87.1	16.5	83.0	79.9	17.0	600 B 840

► Continued on page 68



Your KAPSTO® quality benefits:



Multifunctional: Can be used universally as plug or cap. The tapered design is ideal for accommodating tolerances.



Additional information: To close off bore holes and internal threads, or to protect studs and external threads.

Material: PE-LD; from GPN 600 B 915: PE-LLD
Color: Natural



PÖPPELMANN

Contact, product search, CAD data download and sample requests: www.poeppelemann.com

KAPSTO®

Tapered Closures

GPN 600



Your KAPSTO® quality benefits:

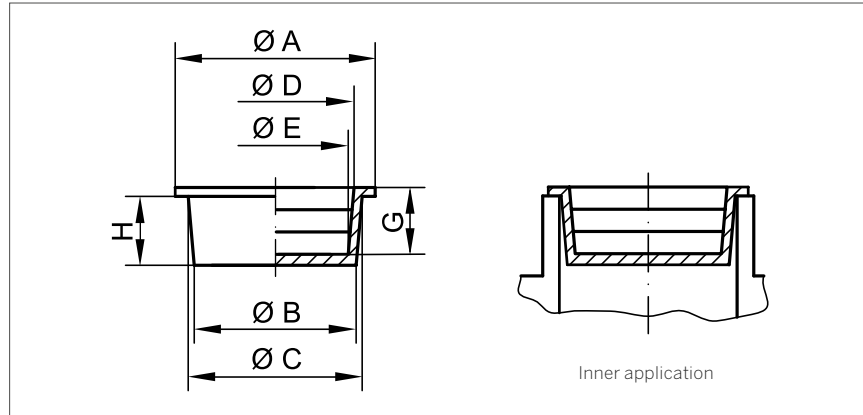


Multifunctional: Can be used universally as plug or cap. The tapered design is ideal for accommodating tolerances.



Additional information: To close off bore holes and internal threads, or to protect studs and external threads.

Material: PE-LD; from GPN 600 B 915: PE-LLD
Color: Natural



◀ Continued from page 67

Dimensions							
A	Inner application			D	E	G	Order no.
	B	C	H				
97.0	86.5	89.0	17.5	86.0	82.9	18.0	600 B 865
100.0	89.0	91.5	17.0	89.0	86.5	17.5	600 B 890
102.0	91.5	94.0	17.0	92.0	88.9	17.5	600 B 915
105.0	94.0	96.0	17.0	92.0	90.0	17.5	600 B 940
107.0	96.5	99.0	17.0	96.0	92.9	17.5	600 B 965
110.0	99.0	102.5	17.0	99.0	95.9	17.5	600 B 990
112.0	101.5	104.0	17.0	102.0	98.9	17.3	600 B 1015
115.0	104.0	106.5	17.0	104.0	100.9	17.5	600 B 1040
117.0	106.5	109.0	17.0	106.0	102.9	17.2	600 B 1065
120.0	109.0	111.0	17.0	108.0	105.0	17.5	600 B 1090
123.0	112.0	114.5	17.0	112.5	109.4	17.0	600 B 1120
125.0	114.0	117.0	16.6	114.5	111.4	17.2	600 B 1140
124.5	114.3	119.2	28.0	117.1	112.1	28.7	600 B 1143
130.0	119.0	123.0	23.0	120.2	116.1	23.0	600 B 1190
134.0	124.0	128.0	23.0	123.0	119.1	23.0	600 B 1240
137.6	127.5	130.6	23.0	127.6	123.6	22.5	600 B 1275
140.0	129.0	133.0	23.0	130.2	126.1	23.5	600 B 1290
143.0	133.0	137.0	23.0	133.0	129.0	22.5	600 B 1330
149.0	139.0	143.0	23.0	139.0	135.0	23.0	600 B 1390
159.5	146.8	152.6	33.0	149.9	144.0	33.5	600 B 1468
159.0	149.0	153.0	23.0	148.0	144.1	23.3	600 B 1490
163.6	153.5	157.5	23.0	153.6	149.6	23.0	600 B 1535
169.0	159.0	162.0	23.0	158.0	154.0	23.0	600 B 1590
170.0	160.0	164.0	23.0	160.0	156.0	23.0	600 B 1600
179.0	169.0	172.0	23.0	168.0	164.0	23.0	600 B 1690
184.0	174.0	177.0	23.0	173.0	169.0	22.5	600 B 1740
189.0	179.0	182.0	23.0	178.0	174.0	23.0	600 B 1790
192.0	181.5	184.5	23.0	180.5	176.5	23.0	600 B 1815
199.5	183.6	190.6	33.0	187.9	182.0	33.8	600 B 1836
209.0	199.0	202.0	22.5	198.0	194.0	22.5	600 B 1990
212.0	202.0	205.0	23.0	202.1	198.1	23.0	600 B 2020
213.0	203.0	205.0	23.0	202.0	199.0	23.0	600 B 2030
216.0	206.0	210.6	23.5	206.0	201.6	23.5	600 B 2060
235.0	218.0	222.0	22.5	217.4	213.5	22.5	600 B 2180
242.0	225.0	229.0	23.5	225.4	221.3	23.0	600 B 2250*
249.5	231.2	238.2	33.0	235.6	228.6	33.5	600 B 2312
267.0	249.0	252.0	22.5	248.0	244.1	22.5	600 B 2490
265.0	253.0	258.0	18.0	253.0	249.2	18.0	600 B 2530
314.0	293.4	300.2	32.5	296.7	289.8	33.0	600 B 2934
315.0	299.0	304.0	22.5	298.0	294.1	22.5	600 B 2990
326.0	308.0	313.0	21.8	308.0	303.4	21.8	600 B 3080
329.0	311.0	316.0	22.0	311.0	306.4	21.7	600 B 3110
358.0	338.0	343.0	22.0	338.0	333.4	21.8	600 B 3380
399.0	371.9	381.0	32.5	377.7	368.4	32.8	600 B 3719*
415.0	398.0	406.0	30.0	399.0	392.7	29.8	600 B 3980
455.0	435.0	443.0	30.0	437.0	430.7	30.0	600 B 4350
499.0	465.4	476.7	32.0	472.8	461.3	33.0	600 B 4654
506.0	484.0	491.0	30.0	486.0	479.7	30.0	600 B 4840

Size in mm

► Application Guide Data for Internal Use, see page 69

Color and material alternatives, additional sizes, bespoke designs and technical cleanliness on request. For more information about materials, colors, drawings and application of our items, please see page 114/115.

*These sizes are supplied with bore.



PÖPPELMANN

We will be happy to advise you: +1 828-466-9519

KAPSTO®

Tapered Closures

GPN 600

Application Guide Data for Internal Use

Standard thread	Metric threads					Pipe thread	Order no.	
	Fine thread							
M 10	M 10 x 1					1/8	600 B 81	
M 12		M 12 x 1.5					600 B 98	
	M 12 x 1						600 B 106	
M 14						1/4	600 B 114	
M 16	M 15 x 1						600 B 133	
							600 B 140	
M 18						3/8	600 B 146	
	M 17 x 1		M 18 x 2				600 B 153	
							600 B 160	
		M 20 x 1.5	M 20 x 2				600 B 174	
	M 20 x 1					1/2	600 B 182	
M 22							600 B 187	
M 24		M 22 x 1.5				5/8	600 B 198	
			M 24 x 2				600 B 203	
		M 24 x 1.5					600 B 212	
M 27		M 26 x 1.5	M 26 x 2			3/4	600 B 230	
	M 27 x 1	M 27 x 1.5	M 28 x 2				600 B 243	
M 30	M 28 x 1	M 28 x 1.5		M 30 x 3			600 B 257	
		M 30 x 1.5	M 30 x 2	M 32 x 3		7/8	600 B 272	
	M 32 x 1	M 33 x 1.5	M 33 x 2	M 34 x 3			600 B 300	
	M 34 x 1	M 35 x 1.5	M 35 x 2	M 36 x 3			600 B 320	
M 39	M 36 x 1	M 36 x 1.5	M 37 x 2	M 38 x 3		1 1/8	600 B 336	
	M 37 x 1	M 37 x 1.5	M 38 x 2	M 39 x 3	M 40 x 4		600 B 345	
M 42	M 38 x 1	M 38 x 1.5	M 39 x 2	M 40 x 3			600 B 355	
M 42		M 39 x 1.5	M 39 x 2		M 42 x 4		600 B 360	
M 45	M 40 x 1	M 40 x 1.5	M 42 x 2	M 42 x 3		1 1/4	600 B 379	
		M 42 x 1.5					600 B 385	
	M 42 x 1			M 45 x 3	M 45 x 4		600 B 398	
M 48			M 45 x 2			1 3/8	600 B 413	
				M 48 x 3		1 1/2	600 B 439	
M 52	M 48 x 1	M 48 x 1.5		M 50 x 3			600 B 455	
	M 50 x 1	M 50 x 1.5		M 52 x 3		1 3/4	600 B 479	
	M 52 x 1				M 55 x 4		600 B 498	
				M 55 x 3	M 56 x 4		600 B 505	
M 60	M 55 x 1	M 55 x 1.5	M 56 x 2		M 58 x 4		600 B 525	
					M 60 x 4		600 B 545	
	M 58 x 1	M 58 x 1.5		M 60 x 3		2	600 B 555	
		M 60 x 1.5	M 60 x 2		M 62 x 4		600 B 570	
			M 62 x 2		M 64 x 4		600 B 585	
M 68			M 64 x 2	M 65 x 3			600 B 605	
		M 64 x 1.5	M 65 x 2			2 1/4	600 B 613	
	M 64 x 1				M 64 x 4	M 68 x 4	600 B 625	
				M 68 x 3			600 B 635	
			M 68 x 2				600 B 650	
				M 72 x 3			600 B 679	
			M 75 x 2			2 1/2	600 B 715	
			M 76 x 2				600 B 728	
					M 80 x 4		600 B 740	
			M 80 x 2				600 B 765	
						M 85 x 6	2 3/4	600 B 775
					M 85 x 4		600 B 790	
			M 85 x 2				600 B 815	
						3	600 B 820	
				M 90 x 4	M 90 x 6		600 B 840	
			M 90 x 2		M 95 x 6		600 B 865	
				M 95 x 4		3 1/4	600 B 890	
			M 95 x 2		M 100 x 6		600 B 915	
				M 100 x 4			600 B 940	
			M 100 x 2		M 105 x 6	3 1/2	600 B 965	
				M 105 x 4			600 B 990	
			M 105 x 2		M 110 x 6		600 B 1015	
				M 110 x 4			600 B 1040	
			M 110 x 2		M 115 x 6		600 B 1065	
				M 115 x 4		4	600 B 1090	
			M 115 x 2		M 120 x 6		600 B 1120	
					M 120 x 4		600 B 1140	
			M 120 x 2		M 125 x 6		600 B 1143	
				M 125 x 4			600 B 1190	
				M 130 x 4			600 B 1240	
					M 135 x 6		600 B 1275	
				M 140 x 4		5	600 B 1330	
					M 155 x 6	5 1/2	600 B 1468	
			M 155 x 3				600 B 1490	
			M 160 x 3				600 B 1535	
						6	600 B 1590	
			M 165 x 3		M 170 x 6		600 B 1600	
					M 190 x 6		600 B 1815	
			M 190 x 3		M 195 x 6		600 B 1836	
					M 210 x 6		600 B 2020	



Additional information:

This application table is a guide only. We will be happy to send you free samples for testing. For apertures and bore holes without threads, please use dimensions B and C. Color and material alternatives, additional sizes, bespoke designs and technical cleanliness on request. For more information about materials, colors, drawings and application of our items, please see page 114/115.

◀ Dimensions on pages 67/68



PÖPPELMANN

Contact, product search, CAD data download and sample requests: www.poeppelemann.com

KAPSTO®