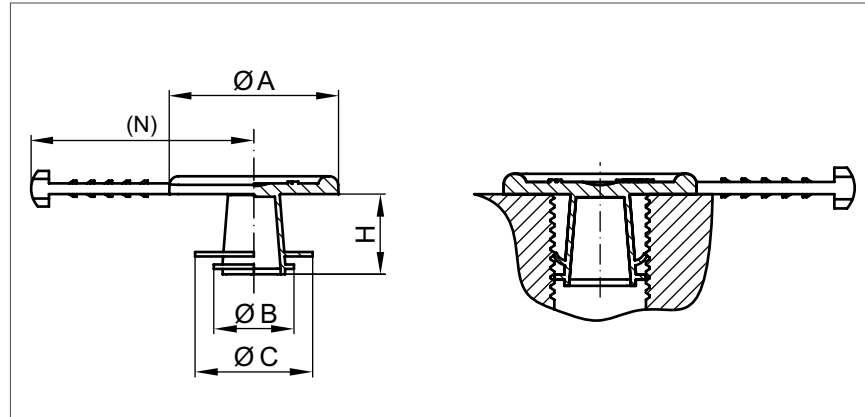


Grip Plugs GPN 308

NEW



| Dimensions | | | | | Order no. |
|------------|------|------|------|------|------------|
| A | B | C | H | (N) | |
| 19.0 | 9.0 | 13.2 | 9.0 | 25.0 | 308 SL 132 |
| 22.7 | 12.0 | 16.5 | 7.0 | 27.0 | 308 SL 165 |
| 30.0 | 15.5 | 19.5 | 8.0 | 31.0 | 308 SL 195 |
| 34.3 | 19.3 | 23.8 | 9.5 | 32.0 | 308 SL 238 |
| 40.0 | 22.5 | 27.6 | 9.5 | 35.0 | 308 SL 276 |
| 45.0 | 29.9 | 34.5 | 10.0 | 38.0 | 308 SL 345 |
| | | | | | |
| | | | | | |

Size in mm

Color and material alternatives, additional sizes, bespoke designs and technical cleanliness on request. For more information about materials, colors, drawings and application of our items, please see page 114/115.

Your KAPSTO® quality benefits:



Time-saving: Newly designed removal tab for fast handling. Protected tab design.



Multifunctional: Suitable for different thread sizes. Flexible ribs for accommodating large tolerances.



Additional information: Protection for bore holes and internal threads.

Material: PE-LD
Color: Yellow

Application Guide

| Metric thread | Pipe thread | Unified Thread pursuant to ASME / ANSI B 1.1 / UN / UNC / UNF / UNEF | Order no. |
|---------------|-------------|--|------------|
| M 10 | 1/8 | 7/16 | 308 SL 132 |
| M 12 | | | 308 SL 132 |
| M 14 | 1/4 | 1/2 | 308 SL 165 |
| M 16 | | 5/8 | 308 SL 165 |
| | | 9/16 | 308 SL 165 |
| M 18 | 3/8 | 3/4 | 308 SL 195 |
| M 20 | | | 308 SL 195 |
| M 22 | 1/2 | 7/8 | 308 SL 238 |
| M 24 | 5/8 | | 308 SL 238 |
| M 26 | 3/4 | 1 1/16 | 308 SL 276 |
| M 28 | | 1 1/8 | 308 SL 276 |
| M 30 | 1 | 1 1/4 | 308 SL 345 |
| M 36 | | 1 3/8 | 308 SL 345 |
| | | | |
| | | | |

This application table is a guide only. We will be happy to send you free samples for testing. For apertures and bore holes without thread, please use dimensions B and C.

>> You also might be interested in the following products: GPN 305, GPN 310, GPN 315



PÖPPELMANN

We will be happy to advise you: +1 828-466-9519

KAPSTO®