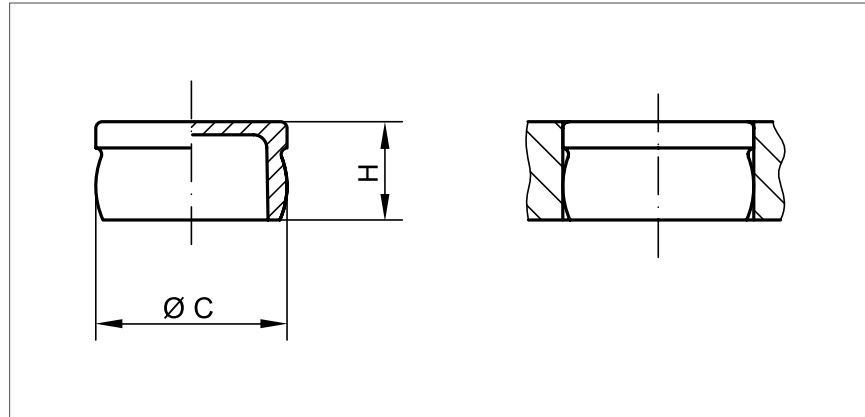


Closures

GPN 300 V



Dimensions		Order no.
C	H	
6.2	8.0	300 V 011
7.2	8.0	300 V 2
8.4	8.0	300 V 3
8.6	6.5	300 V 031
9.2	6.5	300 V 4
9.4	6.5	300 V 041
10.7	7.5	300 V 5
11.7	9.0	300 V 7
12.3	9.0	300 V 9
13.0	9.0	300 V 091
13.7	10.0	300 V 10
14.6	7.5	300 V 11
15.0	10.0	300 V 111
15.0	7.5	300 V 112
15.6	10.0	300 V 12
16.5	7.5	300 V 142
16.7	7.5	300 V 14
17.1	10.5	300 V 15
18.4	10.5	300 V 17
19.3	10.8	300 V 18
21.4	9.5	300 V 181
21.7	10.5	300 V 182
19.6	10.5	300 V 183
21.2	10.0	300 V 184
20.7	10.5	300 V 19
22.4	11.5	300 V 21

Dimensions		Order no.
C	H	
23.6	12.0	300 V 211
24.0	12.0	300 V 22
24.6	12.0	300 V 23
24.5	11.0	300 V 231
25.5	9.5	300 V 232
26.5	12.0	300 V 233
29.0	15.0	300 V 24
30.5	15.0	300 V 241
32.0	12.5	300 V 25
33.5	15.0	300 V 26
34.8	18.0	300 V 27
35.5	18.0	300 V 271
36.5	18.0	300 V 28
38.4	12.5	300 V 30
39.0	18.0	300 V 301
40.0	18.0	300 V 31
40.7	18.0	300 V 311
42.3	18.0	300 V 312
46.0	21.0	300 V 32
48.5	15.0	300 V 33
51.5	21.0	300 V 35
55.0	21.0	300 V 37
55.8	21.0	300 V 38
58.0	21.0	300 V 40
66.0	21.5	300 V 401
71.0	22.0	300 V 41

Your KAPSTO® quality benefits:



Multifunctional:

Multifunctional use for internal threads and bore holes.



Technical cleanliness:

Production in accordance with VDA Band 19 and ISO 16232 in our specially equipped cleanroom on request. For more information, please see page 116/117.



Additional information:

Application as for F-type but with smaller head diameter for recessed mounting.

Material: PE-LD

Color: Natural

Size in mm

► Application guide data, see page 59

Color and material alternatives, additional sizes, bespoke designs and technical cleanliness on request. For more information about materials, colors, drawings and application of our items, please see page 114/115.

>> You also might be interested in the following products: GPN 350, GPN 600, GPN 615



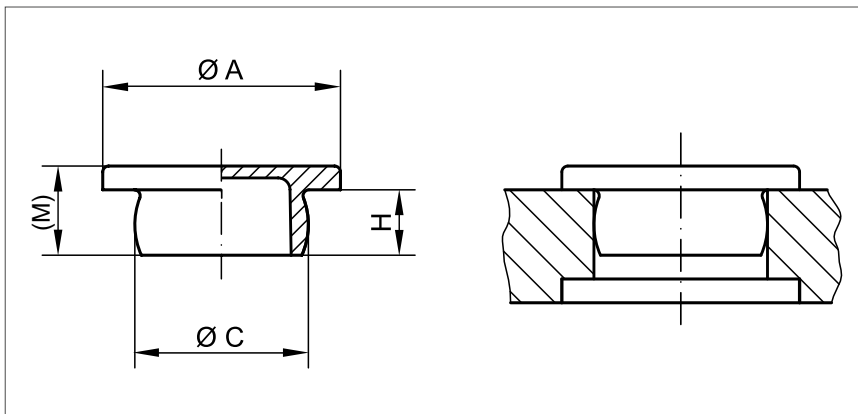
PÖPPELMANN

We will be happy to advise you: +1 828-466-9519

KAPSTO®

Closures

GPN 300 F



Dimensions				Order no.
A	C	H	(M)	
5.0	3.1	2.0	3.0	300 F 1
7.0	4.7	1.8	2.6	300 F 011
9.0	6.6	4.0	5.2	300 F 012
14.0	7.2	6.0	8.0	300 F 2
14.0	8.4	6.0	8.0	300 F 3
14.0	8.6	4.5	6.5	300 F 031
18.0	8.6	6.0	8.0	300 F 0315
13.0	8.8	7.5	9.5	300 F 032
14.0	9.2	4.5	6.5	300 F 4
14.0	9.4	4.5	6.5	300 F 041
13.0	10.3	5.5	7.5	300 F 042
14.0	10.7	5.5	7.5	300 F 5
16.0	11.7	7.0	9.0	300 F 7
16.0	12.3	7.0	9.0	300 F 9
16.0	13.0	7.0	9.0	300 F 091
20.0	13.7	8.0	10.0	300 F 10
20.0	14.6	5.5	7.5	300 F 11
20.0	15.0	8.0	10.0	300 F 111
20.0	15.0	5.5	7.5	300 F 112
20.0	15.6	8.0	10.0	300 F 12
22.0	16.7	5.5	7.5	300 F 14
22.0	16.5	5.5	7.5	300 F 141
20.0	16.5	5.5	7.5	300 F 142
22.0	17.1	8.0	10.5	300 F 15
25.0	18.4	8.0	10.5	300 F 17
25.0	19.3	8.0	10.8	300 F 18
25.0	21.4	7.5	9.5	300 F 181
25.0	21.7	8.0	10.5	300 F 182
25.0	19.6	8.0	10.5	300 F 183
25.0	21.2	8.0	10.0	300 F 184
25.0	20.7	8.0	10.5	300 F 19
28.0	22.4	9.0	12.0	300 F 21
28.0	23.6	9.0	12.0	300 F 211

Size in mm

► Application guide data, see page 59

Color and material alternatives, additional sizes, bespoke designs and technical cleanliness on request. For more information about materials, colors, drawings and application of our items, please see page 114/115.

>> You also might be interested in the following products: GPN 350, GPN 600, GPN 615

Dimensions				Order no.
A	C	H	(M)	
28.0	24.0	9.0	12.0	300 F 22
28.0	24.6	9.0	12.0	300 F 23
27.0	24.5	8.5	11.0	300 F 231
28.0	25.5	7.5	9.5	300 F 232
28.0	26.5	9.0	12.0	300 F 233
36.0	29.0	12.0	15.0	300 F 24
36.0	30.5	12.0	15.0	300 F 241
36.0	31.0	12.0	15.0	300 F 242
36.0	32.0	10.0	12.5	300 F 25
36.0	33.5	12.0	14.0	300 F 26
42.0	34.8	15.0	18.0	300 F 27
42.0	35.5	15.0	18.0	300 F 271
42.0	36.5	15.0	18.0	300 F 28
42.0	38.4	10.0	12.5	300 F 30
42.0	39.0	15.0	18.0	300 F 301
42.0	40.0	15.0	18.0	300 F 31
45.0	40.7	15.0	18.0	300 F 311
48.0	42.3	15.0	18.0	300 F 312
55.0	46.0	18.0	21.0	300 F 32
55.0	48.5	12.0	15.0	300 F 33
55.0	51.5	18.0	21.0	300 F 35
63.0	55.0	18.0	21.0	300 F 37
63.0	55.8	18.0	21.0	300 F 38
63.0	58.0	18.0	21.0	300 F 40
71.0	66.0	18.0	21.5	300 F 401
63.0	59.0	18.0	21.3	300 F 402
78.0	71.0	18.0	22.0	300 F 41
86.0	75.8	19.0	22.0	300 F 411
95.0	86.0	18.0	19.3	300 F 42
124.0	102.5	18.0	21.5	300 F 44
152.0	123.5	18.0	21.5	300 F 47
165.0	152.0	17.5	20.0	300 F 52
200.0	182.0	19.5	22.0	300 F 55



Your KAPSTO® quality benefits:



Multifunctional:

Multifunctional use for internal threads and bore holes.



Technical cleanliness:

Production in accordance with VDA Band 19 and ISO 16232 in our specially equipped cleanroom on request. For more information, please see page 116/117



Additional information: Flat-headed design. Firm fit due to crowned shank.

Material: PE-LD; from GPN 300 F 52: PE-LLD
Color: Natural



PÖPPELMANN

Contact, product search, CAD data download and sample requests: www.poeppelemann.com

KAPSTO®

Closures GPN 300

Application Guide

Metric threads				Pipe thread	Order no.	
Standard thread	Fine thread				F-Type	V-Type
M 3.5					300 F 1	
	M 5 x 0.5				300 F 011	
M 7						300 V 011
	M 7.5 x 1				300 F 012	
M 8	M 8 x 1			1/16	300 F 2	300 V 2
	M 9 x 1				300 F 3	300 V 3
M 10					300 F 031	300 V 031
M 10					300 F 0315	
M 10	M 9.5 x 1			1/8	300 F 032	
	M 10 x 1			1/8	300 F 4	300 V 4
	M 10 x 1				300 F 041	300 V 041
M 12	M 11 x 1				300 F 042	
M 12		M 12 x 1.5			300 F 5	300 V 5
	M 12 x 1	M 13 x 1.5		1/4	300 F 7	300 V 7
M 14	M 13 x 1			1/4	300 F 9	300 V 9
	M 13.5 x 1	M 14 x 1.5			300 F 091	300 V 091
		M 15 x 1.5			300 F 10	300 V 10
M 16	M 15 x 1				300 F 11	300 V 11
		M 16 x 1.5			300 F 111	300 V 111
		M 16 x 1.5			300 F 112	300 V 112
M 18	M 16 x 1			3/8	300 F 12	300 V 12
		M 18 x 1.5			300 F 14	300 V 14
	M 17 x 1	M 18 x 1.5			300 F 141	
	M 17 x 1	M 18 x 1.5			300 F 142	300 V 142
		M 18 x 1.5			300 F 15	300 V 15
	M 19 x 1		M 20 x 2		300 F 17	300 V 17
	M 20 x 1		M 21 x 2	1/2	300 F 18	300 V 18
M 24	M 22 x 1		M 23 x 2		300 F 181	300 V 181
	M 22 x 1				300 F 182	300 V 182
M 22		M 21 x 1.5			300 F 183	300 V 183
M 24	M 22 x 1			5/8	300 F 184	300 V 184
		M 22 x 1.5			300 F 19	300 V 19
	M 23 x 1		M 24 x 2		300 F 21	300 V 21
	M 24 x 1	M 25 x 1.5	M 25 x 2		300 F 211	300 V 211
M 27		M 25 x 1.5			300 F 22	300 V 22
	M 25 x 1	M 26 x 1.5	M 26 x 2	3/4	300 F 23	300 V 23
M 25	M 25 x 1		M 26 x 2		300 F 231	300 V 23
	M 26 x 1		M 27 x 2		300 F 232	300 V 232
M 30	M 27 x 1		M 28 x 2		300 F 233	300 V 233
		M 30 x 1.5			300 F 24	300 V 24
	M 31 x 1		M 32 x 2	1	300 F 241	300 V 241
		M 32 x 1.5		1	300 F 242	
M 36		M 33 x 1.5			300 F 25	300 V 25
	M 34 x 1		M 35 x 2	M 36 x 3	300 F 26	300 V 26
		M 36 x 1.5			300 F 27	300 V 27
M 39	M 36 x 1		M 37 x 2	M 38 x 3	300 F 271	300 V 271
	M 37 x 1		M 38 x 2	M 39 x 3	300 F 28	300 V 28
	M 39 x 1		M 40 x 2		300 F 30	300 V 30
M 45		M 40 x 1.5		M 42 x 3	300 F 301	300 V 301
		M 42 x 1.5	M 42 x 2		300 F 311	300 V 311
				M 45 x 3	300 F 312	300 V 312
				M 50 x 4	300 F 32	
			M 50 x 2		300 F 33	300 V 33
	M 52 x 1			1 3/4	300 F 35	300 V 35
		M 56 x 1.5			300 F 37	300 V 37
	M 56 x 1				300 F 38	300 V 38
M 64				M 62 x 4	300 F 40	300 V 40
				M 70 x 4	300 F 401	300 V 401
		M 60 x 1.5			300 F 402	
		M 72 x 1.5		M 75 x 4	300 F 41	300 V 41
				M 90 x 4	300 F 42	
				M 105 x 3	300 F 44	
			M 125 x 2		300 F 47	
				M 155 x 3	300 F 52	
				M 185 x 3	300 F 55	

◀ For product dimensions refer to page 57 (F-Type) and 58 (V-Type)



F-Type



V-Type



Additional information: When making your selection, please note that the shaft diameter C must be approximately 0.2 to 0.8 mm larger (depending on nominal dimension) than the bore or core diameter of the thread you wish to close. This application table is a guide only. We will be happy to send you free samples for testing.

